

FIG. 201

HANG PLATE MOUNT

Size Range: 1/4" outside diameter through 6.625" diameter

Hardware Material: 304 Stainless, 316 Stainless, or electro-zinc plated carbon

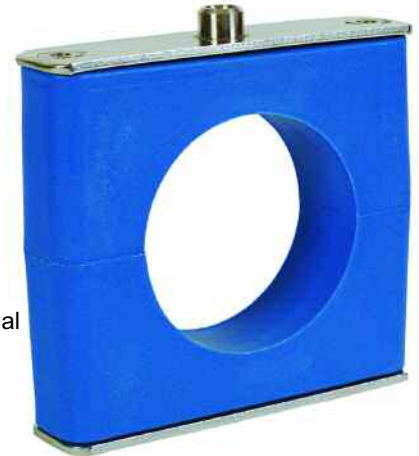
Plastic Inserts: Polypropylene (blue) up to 212° F
 Santoprene (beige) up to 302° F
 HDPE (white) up to 180° F
 Vekton (black) up to 350° F

Installations: Hang from threaded rod to desired elevation

Thermal Expansion Guide: -(Optional) Provides for axial expansion of the tube or pipe due to thermal expansion. One set of two per clamp (Inside Back Cover)

Thermal Expansion Guide

Material: Santoprene, 1/16" insert, Black for service identification



GRP NO.	TUBE OR PIPE SIZE	"D" INCHES	W	H	Z	U	BOLT SIZE	HANG NUT	LBS.
3	1/4 T	0.250	1.88" (48 mm)	1.38" (35 mm)	1.19" (30 mm)	0.81" (20 mm)	1/4-20	3/8-16	0.3 (0.14 kg)
	3/8 T	0.375							
	1/2 T	0.500							
	3/4 T	0.750							
	1/2 P	0.840							
1 T	1.000								
6	1/4 T	0.250	3.34" (85 mm)	2.63" (67 mm)	1.19" (30 mm)	1.44" (37 mm)	1/4-20	3/8-16	0.5 (0.23 kg)
	3/8 T	0.375							
	1/2 T	0.500							
	5/8 T	0.625							
	3/4 T	0.750							
	1/2 P	0.840							
	7/8 T	0.875							
	1 T	1.000							
	3/4 P	1.050							
	1-1/4 T	1.250							
	1 P	1.315							
	1-1/2 T	1.500							
1-1/4 P	1.660								
1-1/2 P	1.900								
2 T	2.000								
7	2 T	2.000	5.00" (127 mm)	4.38" (111 mm)	1.19" (30 mm)	2.31" (59 mm)	1/4-20	3/8-16	1.00 (0.45 kg)
	2 P	2.375							
	2-1/2 T	2.500							
	2-1/2 P	2.875							
	3 T	3.000							
	3-1/2 T-3 P	3.500							
7A	4 T	4.000	5.77" (147 mm)	4.8" (122 mm)	1.19" (33 mm)	2.54" (65 mm)	1/4-20	3/8-16	1.30 (0.59 kg)
8	6 T	6.000	8.88" (226 mm)	7.65" (194 mm)	1.50" (38 mm)	4.01" (102 mm)	3/8 - 16	5/8-11	4.00 (1.8 kg)
	6P	6.625							

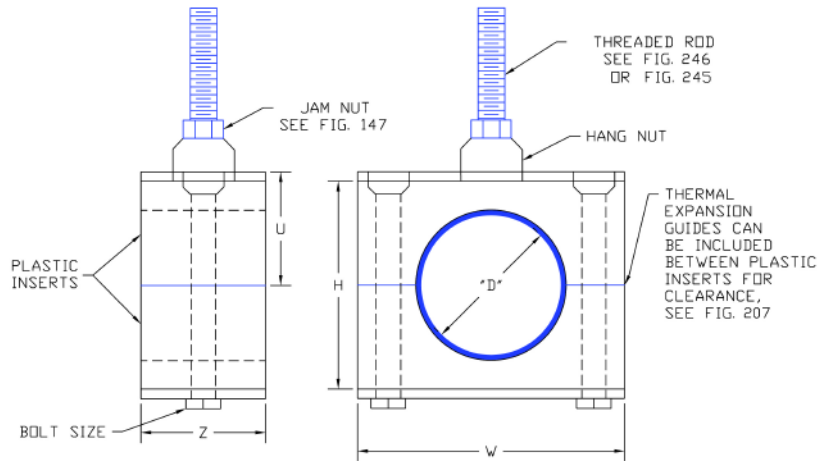
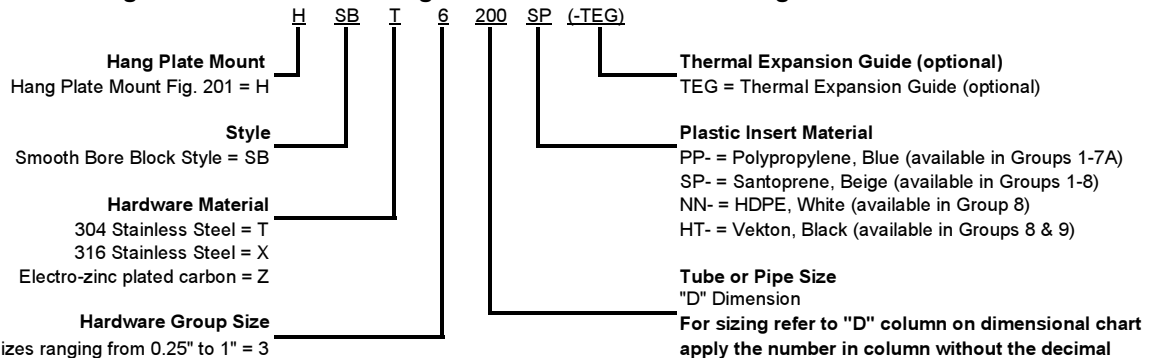


Fig 201 Smooth Bore Hang Mount - Part Number Configurator



Group 3 Hardware Size Tube OD and Pipe sizes ranging from 0.25" to 1" = 3
 Group 6 Hardware Size Tube OD and Pipe sizes ranging from 0.25" to 2" = 6
 Group 7 Hardware Size Tube OD and Pipe sizes ranging from 2" to 3.50" = 7
 Group 7A Hardware Size 4" Tube OD = 7A
 Group 8 Hardware Size Tube OD and Pipe sizes ranging from 6" to 6.625" = 8

Examples of column "D" translation:

- 1/4" Tube = 025
- 3/4" Pipe = 1050
- 1" Pipe = 1315
- 2" Pipe = 2375
- 4" Tube = 400