

**FIG. 211**

**STRUT MOUNT CLAMP**

**Size Range:** 1/4" outside diameter through 4" outside diameter.

**Material:** 304 Stainless, 316 Stainless, or electro-zinc plated carbon

**Plastic Inserts:** Polypropylene (blue) up to 212° F  
Santoprene (tan) up to 302° F

**Installations:** After strut rail position has been established, position 2 strut rail nuts in channel where desired to accept plastic inserts. Place pipe or tube in clamp perpendicular to strut channel. Torque down on clamp bolts to lock assembly in place.

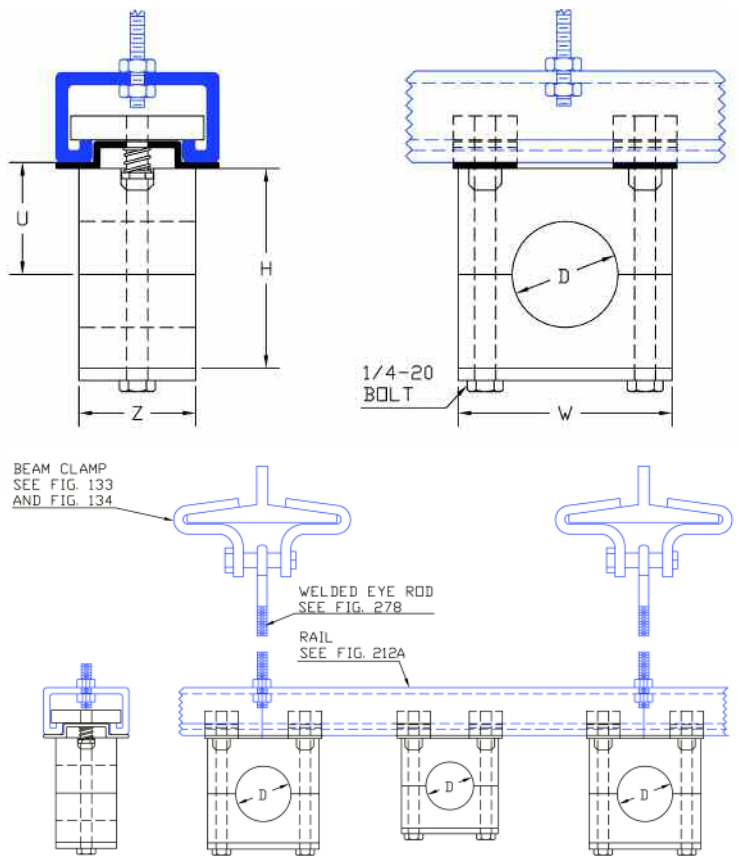
**Thermal Expansion Guide:**-(Optional) Provides for axial expansion of the tube or pipe due to thermal expansion. One set of two per clamp (Inside Back Cover)

**Thermal Expansion Guide**

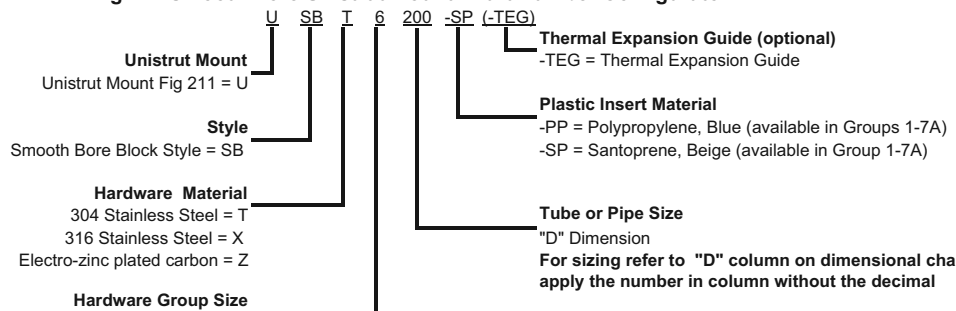
**Material:** Santoprene, 1/16" insert, Black for service identification



GROUP NO.	TUBE OR PIPE SIZE	"D" INCHES	INCHES				LBS
			W	H	Z	U	
3	1/4 T	0.250	1.88 (48 mm)	1.38 (35 mm)	1.19 (30 mm)	.75 (19 mm)	0.4 (0.18 kg)
	3/8 T	0.375					
	1/2 T	0.500					
	3/4 T	0.750					
	1/2 P	0.840					
6	1 T	1.000	3.34 (85 mm)	2.63 (67 mm)	1.19 (30 mm)	1.38 (35 mm)	0.6 (0.27 kg)
	1/4 T	0.250					
	3/8 T	0.375					
	1/2 T	0.500					
	5/8 T	0.625					
	3/4 T	0.750					
	1/2 P	0.840					
	7/8 T	0.875					
	1 T	1.000					
	3/4 P	1.050					
	1-1/4 T	1.250					
	1 P	1.315					
	1-1/2 T	1.500					
	1-1/4 P	1.660					
7	1-1/2 P	1.900	5.00	4.38 (111 mm)	1.19 (30 mm)	2.25 (57 mm)	1.1 (0.50 kg)
	2 T	2.000					
	2 P	2.375					
	2-1/2 T	2.500					
	2-1/2 P	2.875					
7A	3 T	3.000	5.77 (147 mm)	4.8 (122 mm)	1.19 (30 mm)	2.48 (62 mm)	1.5 (0.68 kg)
	3-1/2 T - 3 P	3.500					



**Fig 211 Smooth Bore Unistrut Mount - Part Number Configurator**



Group 3 Hardware Size Tube OD and Pipe sizes ranging from 0.25" to 1" = 3  
Group 6 Hardware Size Tube OD and Pipe sizes ranging from 0.25" to 2" = 6  
Group 7 Hardware Size Tube OD and Pipe sizes ranging from 2" to 3.50" = 7  
Group 7A Hardware Size 4 Tube OD = 7A

**Examples of column "D" translation:**

- 1/4" Tube = 025
- 3/4" Pipe = 1050
- 1" Pipe = 1315
- 2" Pipe = 2375
- 4" Tube = 400