



Alfa Laval Access Tank Cover – Circular Cover Type LKDC - LP

When you need a High Quality Opening

Application

The circular low pressure LKDC – LP stainless steel manhole cover is used on top of tanks or vessels. It is designed to withstand vacuum created during for example cleaning and for productions with low pressure conditions up to 1 bar. Suitable for wine, brewery, juice, milk, food, personal care and pharmaceutical applications.

Working principle

The LKDC-LP cover has some unique features that make handling of the cover easy and safe. Springs on the handles provide an easy opening and closing and the safety pin can hold the lid in an open position.



TECHNICAL DATA

Working pressure: -1 to 1 bar

Temperature range: -10 - 150 °C

Please note: the low pressure cover can stand up to 1 bar and is not PED approved.

PHYSICAL DATA

Materials

Lid and frame: 1.4301 (304) or 1.4404 (316L)

Plastic parts: Nylon Seals

(standard): EPDM Seals

(optional): NBR or FPM or Q (silicone)

Surface finish: Acid Pickled

Product wetted surfaces: Ra≤0.6 µm

Other surfaces: Ra≤1.2 µm

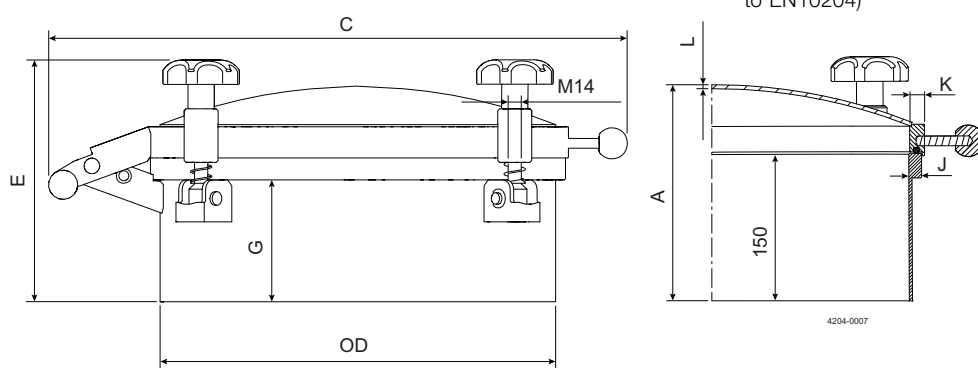
Max. temperature gaskets:

NBR 90°C

Q 100°C

EPDM (not for oil and fat) 140°C

FPM (fluorinated rubber) 140°C



Certificates

3.1 (cover and frame are supplied with material certificate 3.1 according to EN10204)

Size	300	400	450	498	600
OD	306	406	458	506	608
C	483	594	661	701	807
A	211	221	231	232	247
E	236	236	236	236	236
G	82	82	67	67	67
K	15	15	18	18	18
J	13	13	14	14	14
Frame height	150	150	150	150	150
Frame thickness H	3	3	4	4	4
Weight (kg)	15.6	21.3	28.1	32.8	43.6
No.off handles	3	4	4	6	6

Alfa Laval reserves the right to change specifications without prior notification.

How to contact Alfa Laval

Contact details for all countries are continually updated on our website. Please visit www.alfalaval.com to access the information direct.