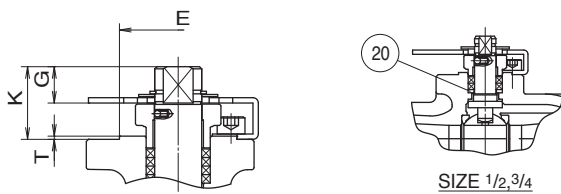
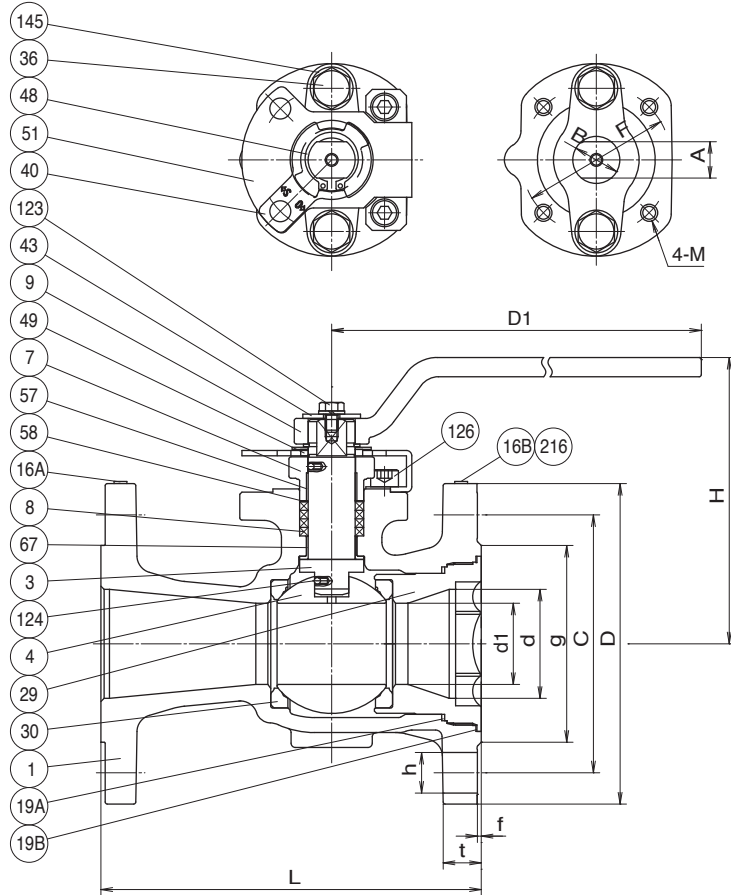


150SCTAZM 150SCTAZM-FS



MATERIAL LIST

No.	Name of Parts	Materials
1	BODY	A216 Gr. WCB
3	STEM	A276 TYPE316
4	BALL	A276 TYPE316 or A351 Gr. CF8M
7	GLAND	A351 Gr. CF8
8	GLAND PACKIING	150SCTAZM PTFE 150SCTAZM-FS FLEXIBLE GRAPHITE
9	HANDLE	DUCTILE IRON
16A	NAME PLATE	STAINLESS STEEL
16B	LEV PLATE	STAINLESS STEEL
19A	GASKET	PTFE
19B	GASKET	150SCTAZM-FS FLEXIBLE GRAPHITE
20	PACKING WASHER	A276 TYPE316L
29	INSERT	A216 Gr. WCB or A105N
30	BALL SEAT	HYPATITE® PTFE
36	GLAND BOLT	STAINLESS STEEL
40	KEYLOCK PLATE	STAINLESS STEEL
43	HANDLELOCK PLATE	STAINLESS STEEL
48	SNAP RING	STAINLESS STEEL
49	STOPPER	STAINLESS STEEL
51	STOPPER PLATE	STAINLESS STEEL
57	GLAND BUSHING	G/F PTFE
58	GLAND WASHER	A276 TYPE304
67	STEM BEARING	G/F PTFE
123	HANDLELOCK PLATE BOLT	STAINLESS STEEL
124	SPRING & PIN	A313 & A276 TYPE316
126	STOPPER PLATE BOLT	STAINLESS STEEL
145	CONED DISC SPRINGS	INCONEL® 718 or EQUIVALENT
216	ATEX PLATE	STAINLESS STEEL

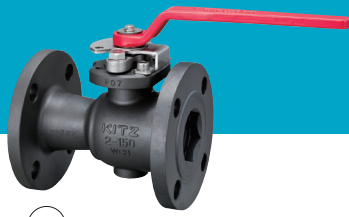
NOTE

(1) Dimensions A and B are in accordance with CAPI F03-S

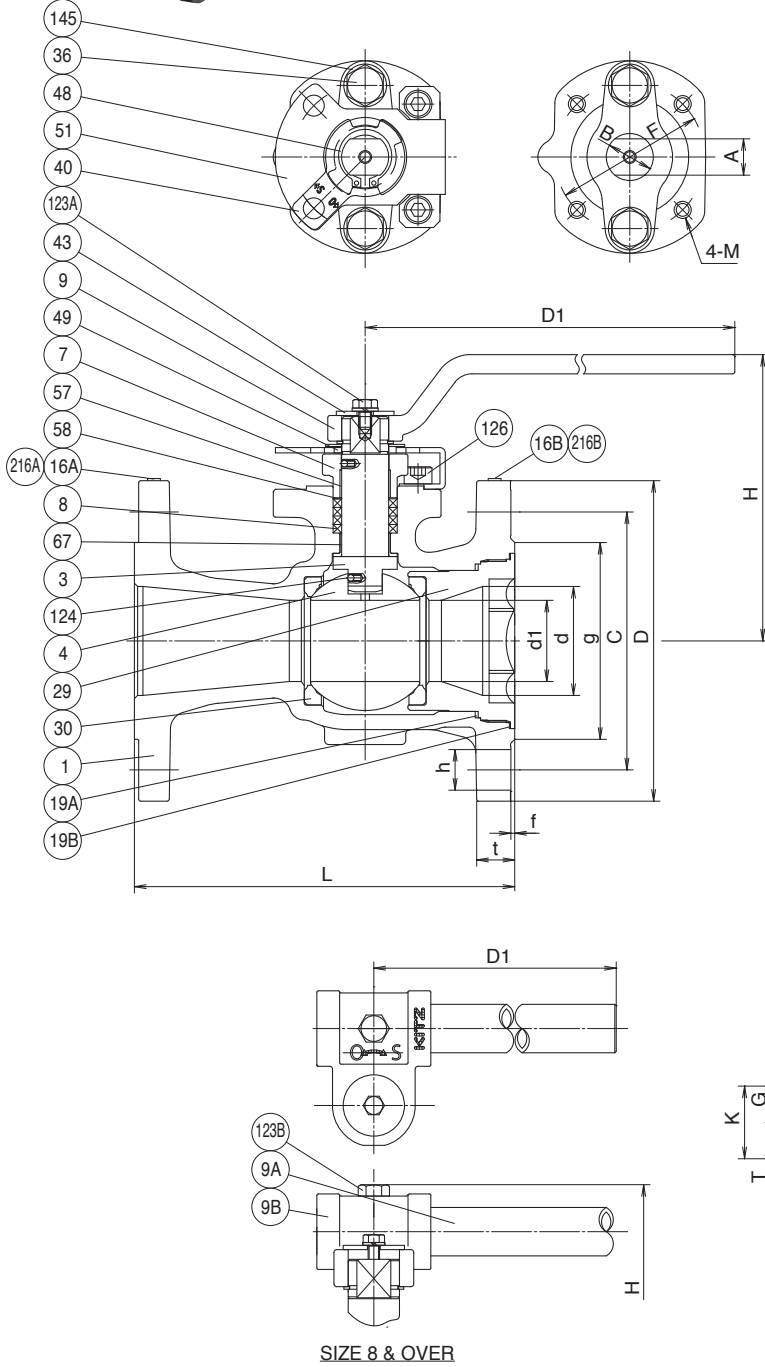
DIMENSIONS

Unit : inch

Nominal Size	End Flange											Mounting Dimensions for Actuator												
	in.	mm	d	d1	H	D1	L	Bolt Hole				Bolt Size	g	t	f	A	B	E	F	G	K	T	M	ISO 5211 Flange Type
								D	C	No.	h													
1/2	15	0.49	0.39	3.62	5.12	4.25	3.50	2.38	4	0.62	1/2	1.38	0.44	0.06	0.276	0.394	0.985	1.417	0.33	0.71	0.04	M5	F03(1)	
3/4	20	0.75	0.49	3.74	5.12	4.62	3.88	2.75	4	0.62	1/2	1.69	0.44	0.06	0.276	0.394	0.985	1.417	0.33	0.71	0.04	M5	F03(1)	
1	25	0.98	0.69	4.33	5.12	5.00	4.25	3.12	4	0.62	1/2	2.00	0.44	0.06	0.355	0.473	0.985	1.417	0.35	0.87	0.04	M5	F03	



150SCTAZM 150SCTAZM-FS



MATERIAL LIST

No.	Name of Parts	Materials
1	BODY	A216 Gr. WCB
3	STEM	A276 TYPE316
4	BALL	A276 TYPE316 or A351 Gr. CF8M
7	GLAND	A351 Gr. CF8
8	GLAND PACKING	150SCTAZM PTFE 150SCTAZM-FS FLEXIBLE GRAPHITE
9	HANDLE	DUCTILE IRON(UP TO SIZE 6)
9A	HANDLE BAR	CARBON STEEL(SIZE 8& OVER)
9B	HANDLE HEAD	DUCTILE IRON(SIZE 8& OVER)
16A	NAME PLATE	STAINLESS STEEL
16B	LEV PLATE	STAINLESS STEEL
19A	GASKET	PTFE
19B	GASKET	150SCTAZM-FS FLEXIBLE GRAPHITE
20	PACKING WASHER	A276 TYPE316L(SIZE 1 1/2 ONLY)
29	INSERT	A216 Gr. WCB OR A105N
30	BALL SEAT	HYPATITE® PTFE
36	GLAND BOLT	STAINLESS STEEL
40	KEYLOCK PLATE	STAINLESS STEEL
43	HANDLELOCK PLATE	STAINLESS STEEL
48	SNAP RING	STAINLESS STEEL
49	STOPPER	STAINLESS STEEL
51	STOPPER PLATE	STAINLESS STEEL
57	GLAND BUSHING	G/F PTFE
58	GLAND WASHER	A276 TYPE304
67	STEM BEARING	G/F PTFE
123A	HANDLELOCK PLATE BOLT	STAINLESS STEEL
123B	HANDLE BOLT	STAINLESS STEEL
124	SPRING & PIN	A313 & A276 TYPE316
126	STOPPER PLATE BOLT	STAINLESS STEEL
145	CONED DISC SPRINGS	INCONEL® 718 or EQUIVALENT
216A	CE PLATE	STAINLESS STEEL
216B	ATEX PLATE	STAINLESS STEEL

DIMENSIONS

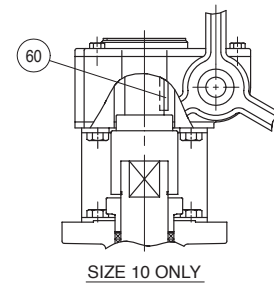
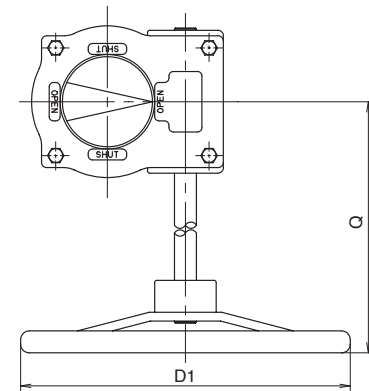
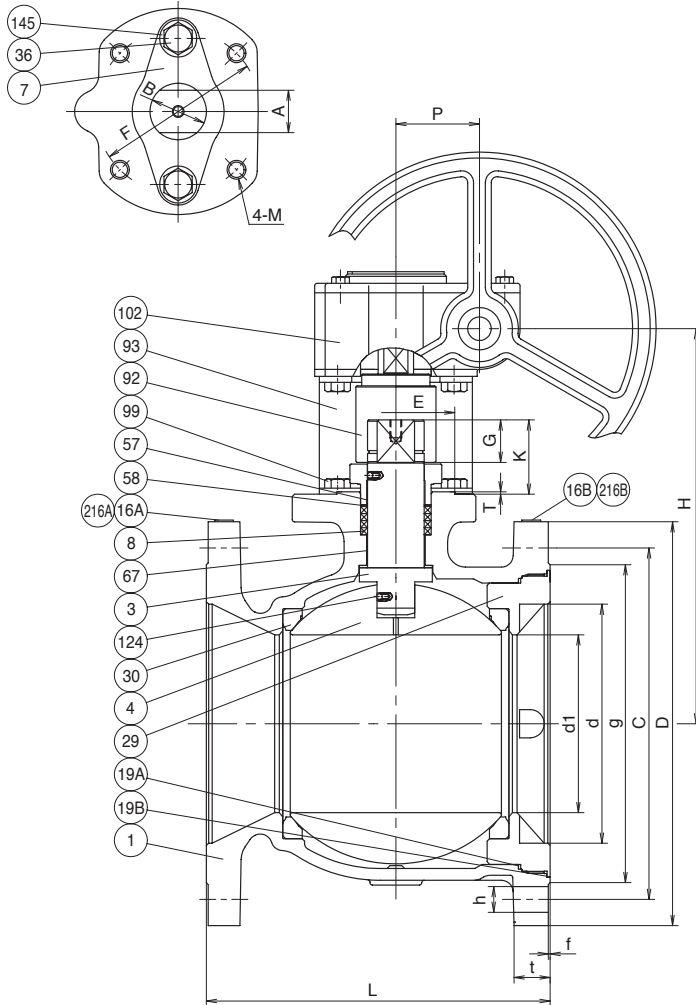
Unit : inch

Nominal Size	End Flange											Mounting Dimensions for Actuator											
	in.	mm	d	d1	H	D1	L	D	Bolt Hole		Bolt Size	g	t	f	A	B	E	F	G	K	T	M	ISO 5211 Flange Type
1 1/2	40	1.50	1.18	5.00	6.30	6.5	5.00	3.88	4	0.62	1/2	2.88	0.56	0.06	0.552	0.709	1.378	1.969	0.55	1.18	0.06	M6	F05
2	50	2.00	1.50	5.28	9.06	7.0	6.00	4.75	4	0.75	5/8	3.62	0.62	0.06	0.670	0.867	2.166	2.756	0.67	1.34	0.06	M8	F07
3	80	3.00	2.99	6.81	15.75	8.0	7.50	6.00	4	0.75	5/8	5.00	0.75	0.06	0.867	1.103	2.756	4.016	0.87	1.77	0.08	M10	F10
4	100	4.00	3.00	7.44	15.75	9.0	9.00	7.50	8	0.75	5/8	6.19	0.94	0.06	0.867	1.103	2.756	4.016	0.87	1.77	0.08	M10	F10
6	150	6.00	3.94	8.82	18.11	10.5	11.00	9.50	8	0.88	3/4	8.50	1.00	0.06	1.063	1.418	3.347	4.921	1.06	2.05	0.08	M12	F12
8	200	8.00	5.94	12.40	39.37	11.5	13.50	11.75	8	0.88	3/4	10.62	1.12	0.06	1.418	1.890	3.937	5.512	1.42	2.48	0.08	M16	F14
10	250	10.00	7.36	15.43	59.00	13.0	16.00	14.25	12	1.00	7/8	12.75	1.16	0.06	1.811	2.367	5.118	6.496	1.81	3.11	0.08	M20	F16

G-150SCTAZM G-150SCTAZM-FS

MATERIAL LIST

No.	Name of Parts	Materials
1	BODY	A216 Gr. WCB
3	STEM	A276 TYPE316
4	BALL	A351 Gr. CF8M
7	GLAND	A351 Gr. CF8
8	GLAND PACKING	G-150SCTAZM PTFE G-150SCTAZM-FS FLEXIBLE GRAPHITE
16A	NAME PLATE	STAINLESS STEEL
16B	LEV PLATE	STAINLESS STEEL
19A	GASKET	PTFE
19B	GASKET	G-150SCTAZM-FS FLEXIBLE GRAPHITE
29	INSERT	A216 Gr. WCB or A105N
30	BALL SEAT	HYPATITE® PTFE
36	GLAND BOLT	STAINLESS STEEL
57	GLAND BUSHING	G/F PTFE
58	GLAND WASHER	A276 TYPE304
60	KEY	CARBON STEEL
67	STEM BEARING	G/F PTFE
92	CONNECTOR	CARBON STEEL
93	BRACKET	CARBON STEEL
99	BOLT	CARBON STEEL
102	GEAR UNIT	
124	SPRING & PIN	A313 & A276 TYPE316
145	CONED DISC SPRINGS	INCONEL® 718 or EQUIVALENT
216A	CE PLATE	STAINLESS STEEL
216B	ATEX PLATE	STAINLESS STEEL



DIMENSIONS

Unit: inch

Nominal Size		End Flange										Mounting Dimensions for Actuator											
in.	mm	d	d1	H	D1	L	D	Bolt Hole		Bolt Size	g	t	f	A	B	E	F	G	K	T	M	ISO 5211 Flange Type	
10	250	10.00	7.36	15.75	15.75	13.0	16.00	14.25	12	1.00	7/8	12.75	1.19	0.06	1.811	2.362	5.118	6.496	1.81	3.11	0.08	M20	F16