

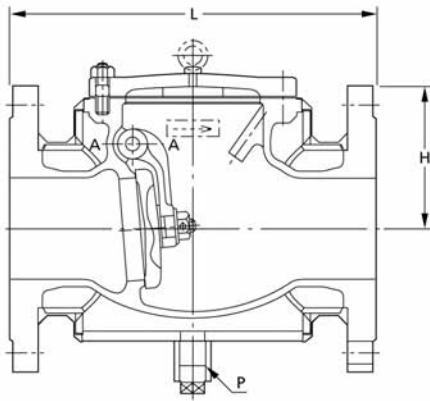
## CLASS 150

## JACKETED SWING CHECK VALVE

Pressure-Temperature Rating:  
ASME B 16.34

150UOAJ

150UOAJM



### Materials

Parts	150UOAJ	150UOAJM
Body	CF8	CF8M
Cover	CF8	CF8M
Disc	CF8	CF8M
Gasket	Refer to Page 10	
Hinge pin	304	316
Plug	304	316
Cover bolt/nut	B8/8	
Split pin	SUS316L	316L
Jacket*	STPG370+SS400	Carbon Steel+Steel

\*The material may be changed depending on the service temperature.  
Note: Body seats and/or disc seats can be optionally hard-faced.



### Items

Face-to-Face Dimensions	KITZ Std.
End Flange Dimensions	ASME B16.5
Wall Thickness	ASME B16.34 Class 150

Nominal Size	2×3		3×4		4×6		6×8	
	50×80		80×100		100×150		150×200	
L	in.	9.50	11.50	14.00	16.00			
	mm	241	292	356	406			
H (open)	in.	4.8	5.9	6.7	8.4			
	mm	122	149	171	214			
P		Rc <sup>1</sup> / <sub>2</sub>	Rc <sup>1</sup> / <sub>2</sub>	Rc <sup>3</sup> / <sub>4</sub>	Rc <sup>3</sup> / <sub>4</sub>			

\*The nominal sizes are indicated by [the valve nominal sizes] and [flange nominal sizes].