

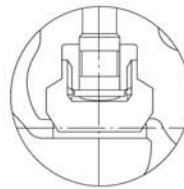
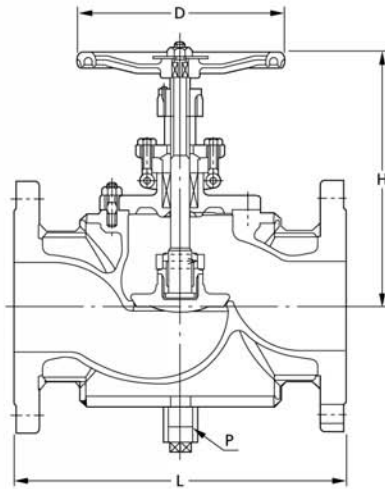
CLASS 300

JACKETED GLOBE VALVE

Pressure-Temperature Rating:
ASME B 16.34

300UPAJ

300UPAJM



1/2×11/2~11/2×21/2



Materials

Parts	300UPAJ	300UPAJM
Body	CF8	CF8M
Bonnet	CF8	CF8M
Stem	304	316
Disc	1/2 to 2 3 & 4	304 CF8
Lock nut	1/2 to 11/2 2 to 4	304 CF8M
Gland	SCS13A	CF8
Gland flange	CF8	
Gland packing	Refer to Page 10	
Gasket	Refer to Page 10	
Yoke bush	Ductile Ni-resist	
Handwheel	FCD400	Ductile iron
Gland bolt/nut	B8/8	
Gland bolt pin	SUS403	403
Bonnet bolt/nut	B8/8	
Name plate	Aluminum	
Jacket*	Carbon Steel+Steel	

*The material may be changed depending on the service temperature.
Note: Body seats and/or disc seats can be optionally hard-faced.

Items	
Face-to-Face Dimensions	KITZ Std.
End Flange Dimensions	JIS B2220, ASME B16.5
Wall Thickness	ASME B16.34 Class 300

Nominal Size	1/2×1 1/2		3/4×1 1/2		1×2		1 1/2×2 1/2		2×3		3×4		4×6	
	15×40		20×40		25×50		40×65		50×80		80×100		100×150	
L	in.	6.50	6.50	8.00	9.00	10.50	12.50	14.00						
	mm	165	165	203	229	267	318	356						
H (open)	in.	7.3	7.3	7.4	9.3	11.4	13.5	11.7						
	mm	186	186	187	236	289	343	298						
D	in.	3.9	3.9	3.9	6.3	7.1	9.8	11.8						
	mm	100	100	100	160	180	250	300						
P		Rc 1/2	Rc 1/2	Rc 1/2	Rc 1/2	Rc 1/2	Rc 1/2	Rc 3/4						

*The nominal sizes are indicated by [the valve nominal sizes] and [flange nominal sizes].