



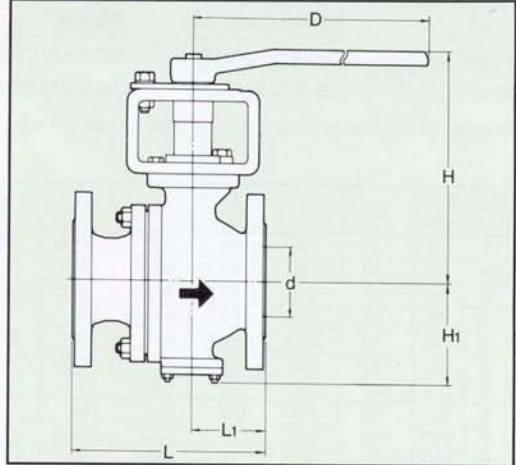
KITZ Corporation Of America
800-772-0073 • www.KITZ.com

Class 300 / 20K Lever operated Λ -port® control valves

Trim	ASME Class 300	JIS 20K
FLEKSEAT	L-300UVC(M)	L-20UVC(M)
KNIFESEAT	L-300UVCT(M)	L-20UVCT(M)

In case of CF8M valve body, KITZ Fig. shall be suffixed with "M".

Valve size		mm					
inch	mm	d	L	L ₁	H	H ₁	D
1	25	25	165	68	181	71.5	160
1½	40	38	190	73.5	198	79	230
2	50	51	216	87.5	204	87.5	230
2½	65	64	241	102	245	100	400
3	80	76	283	120.5	252	109	400
4	100	102	305	125	283	133.5	460
5	125	127	381	158	305.5	157	460
6	150	152	403	182	392	182	1000
8	200	203	502	228.5	460	226.5	1500

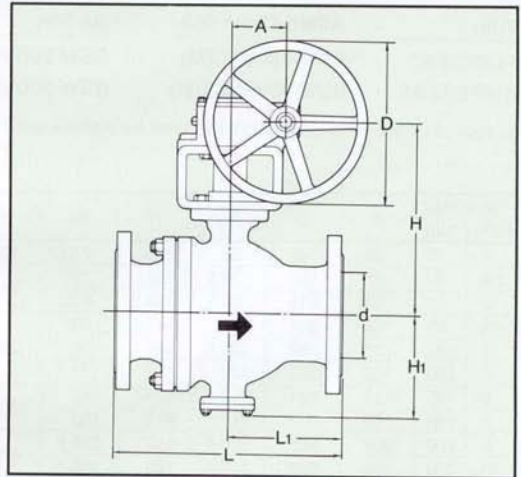


Class 300 / 20K Gear operated Λ -port® control valves

Trim	ASME Class 300	JIS 20K
FLEKSEAT	G-300UVC(M)	G-20UVC(M)
KNIFESEAT	G-300UVCT(M)	G-20UVCT(M)

In case of CF8M valve body, KITZ Fig. shall be suffixed with "M".

Valve size		mm						
inch	mm	d	L	L ₁	H	H ₁	D	A
6	150	152	403	182	330	182	310	65.5
8	200	203	502	228.5	410	226.5	360	88.5
10	250	254	568	242.5	446	268.5	500	93.5

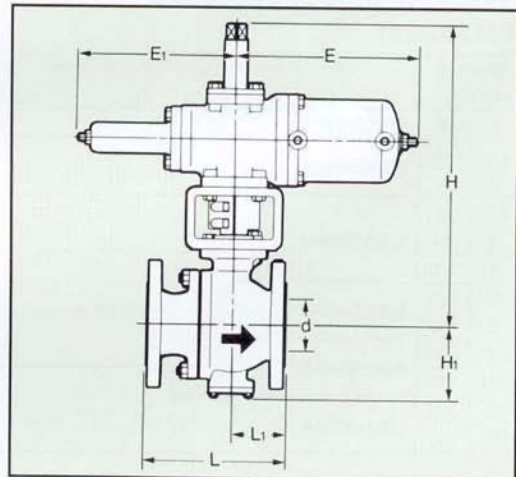


Class 300 / 20K KITZ B-type actuator operated Λ -port® control valves

Trim	ASME Class 300	JIS 20K
FLEKSEAT	B-300UVC(M)	B-20UVC(M)
KNIFESEAT	B-300UVCT(M)	B-20UVCT(M)

In case of CF8M valve body, KITZ Fig. shall be suffixed with "M".

Valve size		mm							
inch	mm	d	L	L ₁	H	H ₁	E	E ₁	Style
1	25	25	165	68	295	71.5	154	128	B-1
1½	40	38	190	73.5	363	79	205	177	B-2
2	50	51	216	87.5	369.5	87.5			
2½	65	64	241	102	447.5	100	272	235	B-3
3	80	76	283	120.5	454	109			
4	100	102	305	125	479	133.5	328	284	B-4
5	125	127	381	158	594.5	157			
6	150	152	403	182	614	182	423	367	B-5
8	200	203	502	228.5	699	226.5			
10	250	254	568	242.5	746	268.5			





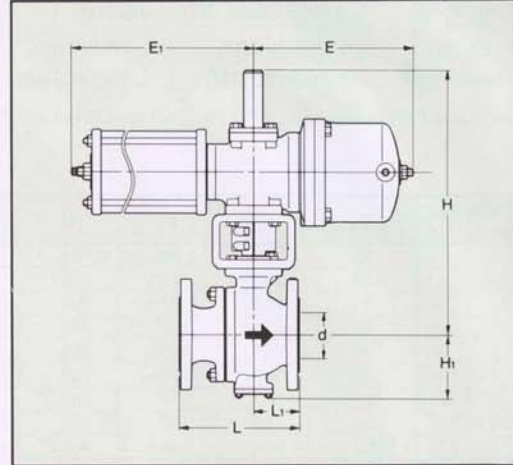
KITZ Corporation Of America
800-772-0073 • www.KITZ.com

Class 300 / 20K KITZ BS-type actuator operated Λ -port® control valves

Trim	ASME Class 300	JIS 20K
FLEKSEAT	BS-300UVC(M)	BS-20UVC(M)
KNIFESEAT	BS-300UVCT(M)	BS-20UVCT(M)

In case of CF8M valve body, KITZ Fig. shall be suffixed with "M".

Valve size		d	L	L ₁	H	H ₁	E	E ₁	Style
inch	mm								
1	25	25	165	68	295	71.5	161	239	BS-1
1½	40	38	190	73.5	363	79	210	335	BS-2
2	50	51	216	87.5	369.5	87.5			
2½	65	64	241	102	447.5	100	276	451	BS-3
3	80	76	283	120.5	454	109			
4	100	102	305	125	479	133.5	351	575	BS-4
5	125	127	381	158	594.5	157			
6	150	152	403	182	614	182	446	745	BS-5
8	200	203	502	228.5	699	226.5			
10	250	254	568	242.5	746	268.5			

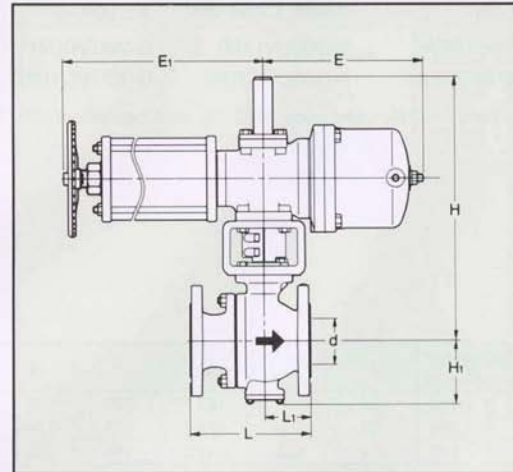


Class 300 / 20K KITZ BSW-type actuator operated Λ -port® control valves

Trim	ASME Class 300	JIS 20K
FLEKSEAT	BSW-300UVC(M)	BSW-20UVC(M)
KNIFESEAT	BSW-300UVCT(M)	BSW-20UVCT(M)

In case of CF8M valve body, KITZ Fig. shall be suffixed with "M".

Valve size		d	L	L ₁	H	H ₁	E	E ₁	Style
inch	mm								
1	25	25	165	68	295	71.5	161	259	BSW-1
1½	40	38	190	73.5	363	79	210	362	BSW-2
2	50	51	216	87.5	369.5	87.5			
2½	65	64	241	102	447.5	100	276	482	BSW-3
3	80	76	283	120.5	454	109			
4	100	102	305	125	479	133.5	351	609	BSW-4
5	125	127	381	158	594.5	157			
6	150	152	403	182	614	182	446	795	BSW-5
8	200	203	502	228.5	699	226.5			
10	250	254	568	242.5	746	268.5			



Actuator Selection Guide

FLEKSEAT

Valve size	Differential pressure (Δp) MPa (kgf/cm ² or psi)				
	inch	mm	0.49 (5 or 70)	0.98 (10 or 140)	1.47 (15 or 210)
1	25	B/BS/BSW-1			
1½	40	B/BS/BSW-2			
2	50	B/BS/BSW-2			
2½	65	B/BS/BSW-3			
3	80	B/BS/BSW-3			
4	100	B/BS/BSW-3			
5	125	B/BS/BSW-4			
6	150	B/BS/BSW-4			
8	200	B/BS/BSW-5			
10	250	B/BS/BSW-5			
12	300	B/BS/BSW-6			
14	350	B/BS/BSW-6			

KNIFESEAT

Valve size	Differential pressure (Δp) MPa (kgf/cm ² or psi)					
	inch	mm	0.49 (5 or 70)	0.98 (10 or 140)	1.47 (15 or 210)	1.96 (20 or 280)
1	25	B/BS/BSW-1				
1½	40	B/BS/BSW-2				
2	50	B/BS/BSW-2				
2½	65	B/BS/BSW-3				
3	80	B/BS/BSW-3				
4	100	B/BS/BSW-3				
5	125	B/BS/BSW-4				
6	150	B/BS/BSW-4				
8	200	B/BS/BSW-5				
10	250	B/BS/BSW-5				
12	300	B/BS/BSW-6				
14	350	B/BS/BSW-6				