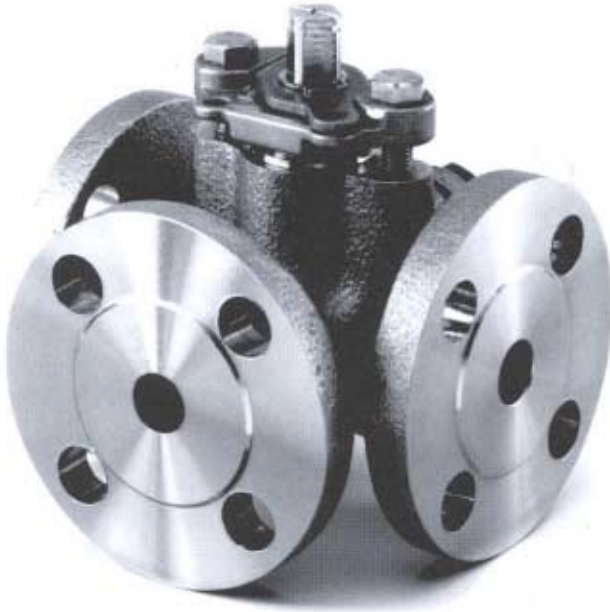


FLANGED 3-WAY, 4-SEATED BALL VALVES CLASS 150

L-PORT (150UTB4LAM ½"~4", 150UTR4LAM 6"~8")

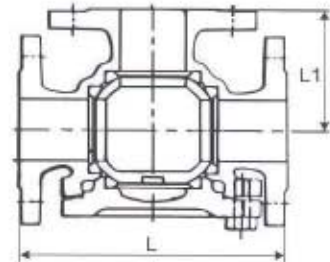
T-PORT (150UTB4TAM ½"~4", 150UTR4TAM 6"~8")



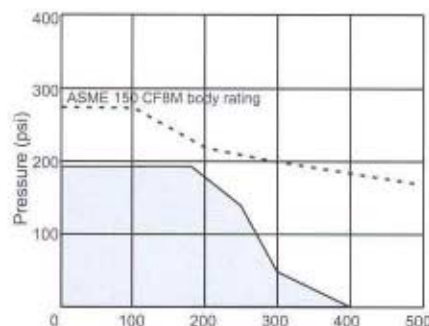
- Used for straight through flow and diverting or mixing process media.
- One 3-Way valve can replace several other valves PLUS the associated piping spool pieces.
- Rugged back entry configuration for easier maintenance.
- Full Port ½"~4"
Regular Port 6"~8"
- NACE MR-01-75
- Integral actuator mounting flange.
- Low operating torques
- Anti-static device
- Traditional KITZ quality and durability

DIMENSIONAL and WEIGHT DATA

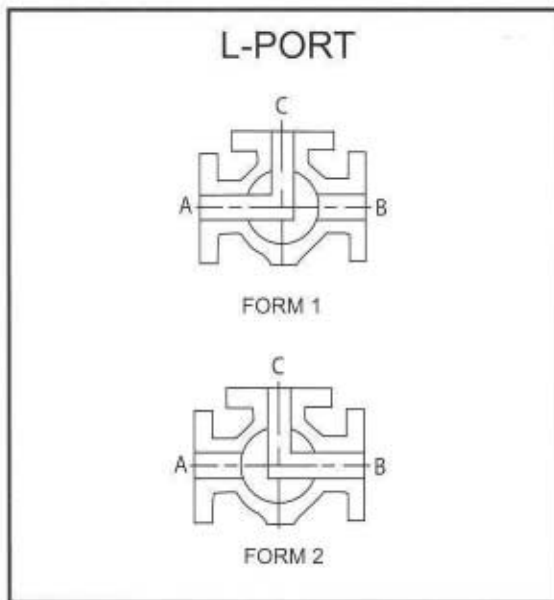
VALVE SIZE, in	LENGTH L, in	BRANCH L1, in	APPROX WT, lbs
½	4.72	2.56	8.60
¾	5.51	2.76	11.47
1	6.30	3.15	16.54
1½	7.09	3.54	30.87
2	7.87	3.94	39.69
2½	9.45	4.72	57.33
3	10.31	5.16	72.77
4	13.46	6.73	94.82
6	16.02	8.01	180.81
8	18.23	9.11	275.63



PRESSURE-TEMPERATURE RATING



ALLOWABLE PORT ORIENTATION



FORM 1

Flow is between Ports "A" and "C" and can be in either direction.

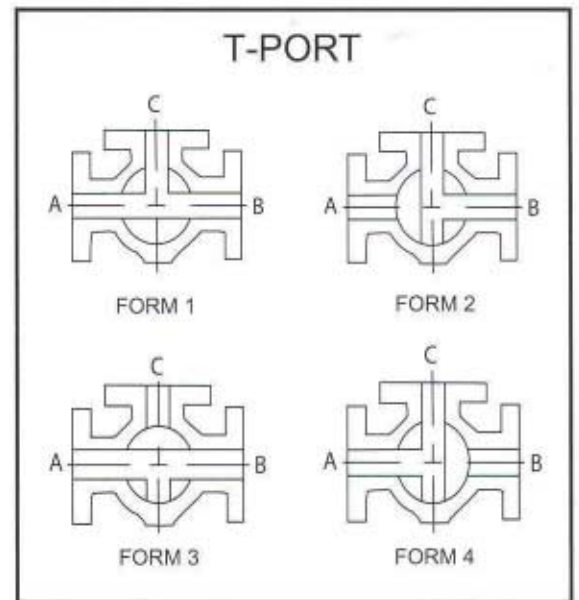
There is a positive shutoff from Port "B". However, if the system pressure in this direction is much higher than in the flow direction there may be slight leakage to either Port "A" or Port "C".

FORM 2

Flow is between Port "B" and "C" and can be in either direction.

There is a positive shutoff from Port "A". However, if the system pressure in this direction is much higher than in the flow direction there may be slight leakage to either Port "B" or Port "C".

PROCESS MEDIA MAY MIX WHEN SWITCHING PORT ORIENTATION



FORM 1

All Ports are open.

FORM 2

Flow is between Ports "B" and "C" and can be in either direction.

There is a positive shutoff from Port "A". However, if the system pressure in this direction is much higher than in the flow direction there may be slight leakage to either Port "B" or Port "C".

FORM 3

Flow is between Ports "A" and "B" and can be in either direction.

There is a positive shutoff from Port "C". However, if the system pressure in this direction is much higher than in the flow direction there may be slight leakage to either Port "A" or Port "B".

FORM 4

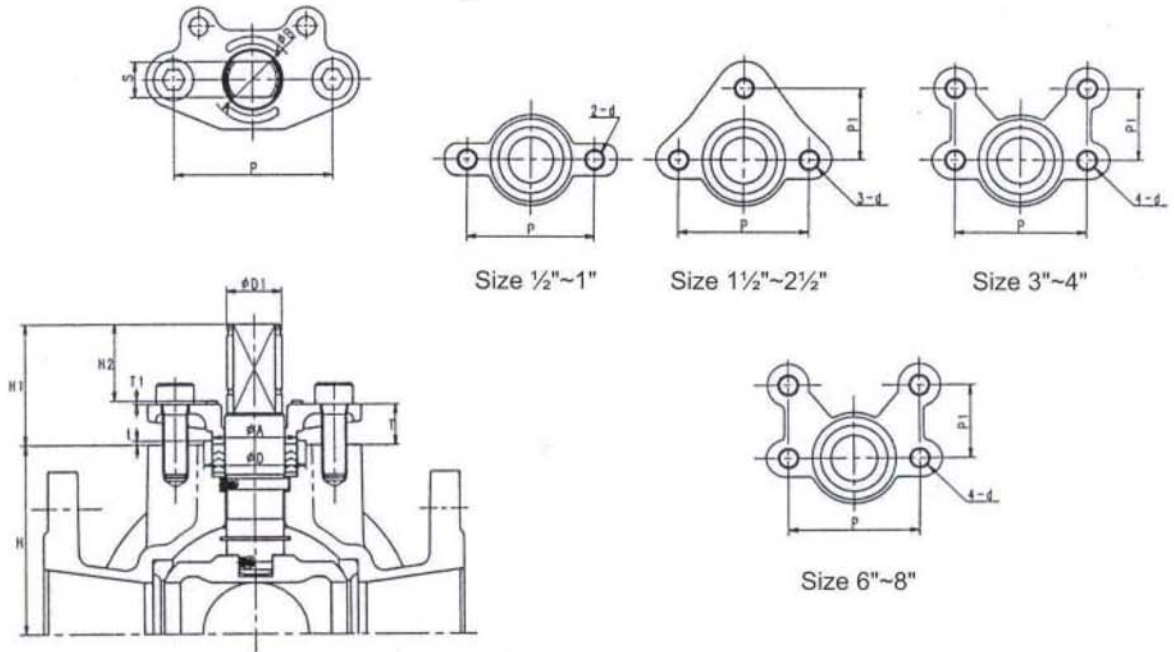
Flow is between Port "A" and "C" and can be in either direction.

There is a positive shutoff from Port "B". However, if the system pressure in this direction is much higher than in the flow direction there may be slight leakage to either Port "A" or Port "C".



KITZ Corporation Of America
800-772-0073 • www.KITZ.com

MOUNTING PAD AND STEM PROJECTION DATA



VALVE SIZE, in	DIMENSIONS, Inches								
	H	H1	H2	P	P1	d	D1	S	B
½	1.77	1.42	0.78	1.97	-	M8	0.59	0.40	1.06
¾	1.89	1.42	0.78	1.97	-	M8	0.59	0.40	1.06
1	2.05	1.42	0.78	1.97	-	M8	0.59	0.40	1.06
1½	3.19	2.24	1.42	2.95	1.65	M12	1.03	0.67	1.61
2	3.54	2.24	1.42	2.95	1.65	M12	1.03	0.67	1.61
2½	4.29	2.83	1.78	3.54	2.13	M16	1.38	0.91	1.97
3	4.76	2.83	1.78	3.54	2.13	M16	1.38	0.91	1.97
4	5.63	3.35	2.28	3.86	2.17	M16	1.58	1.07	2.32
6	6.50	3.35	2.26	3.86	2.17	M16	1.58	1.07	2.32
8	7.60	3.78	2.42	4.21	2.36	M16	1.89	1.26	2.68

OPERATIONAL TORQUE, In-lbs*

VALVE SIZE, in	NOMINAL ΔP (150 psi)	MAX RATED ΔP (285 psi)
½	104	104
¾	162	162
1	220	220
1½	577	577
2	1,039	1,039
2½	1,386	1,386
3	2,540	2,540
4	3,463	3,463
6	6,234	6,695
8	8,313	8,774

FLOW COEFFICIENT

VALVE SIZE, in	APPROX Cv
½	9
¾	14
1	26
1½	64
2	108
2½	182
3	255
4	460
6	660
8	960

* contains 33% safety factor/clean liquid