



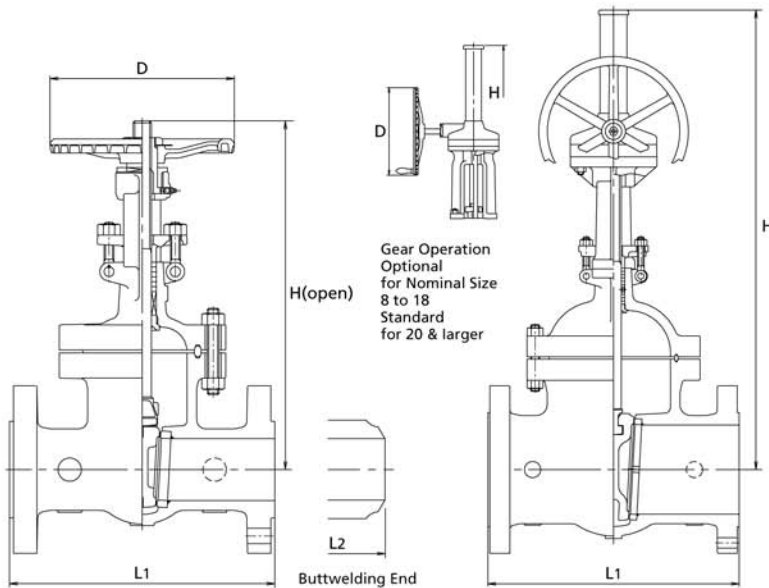
KITZ Corporation Of America  
800-772-0073 • www.KITZ.com

Cast Carbon Steel Gate Valve  
Design - API 600, OS&Y, BB, Flex Wedge, RFF per B16.5, BW per B16.25,  
LEV - 100 PPM max., Body Materials - ASTM A216, A217, A352

Class 600

## Cast Carbon Steel Gate Valve

Bolted bonnet, Outside screw-and-yoke, Rising stem, Non-rising handwheel, Flexible wedge.



600SCLS

G-600SCLS

Fig	End Connections
600SCLS	RF-flanged ends.
W600SCLS	Butt-welding ends.

### Standard materials of parts

Parts	Materials
Body	ASTM A216 Gr.WCB
Bonnet	ASTM A216 Gr.WCB
Stem	ASTM A182 Gr.F6a
Disc	13Cr/Carbon Steel+13Cr
Body seat ring	Carbon Steel+HF*
Gland	ASTM A182 Gr.F6a
Gland packing	Flexible Graphite
Gland flange	ASTM A105/A216 Gr. WCB
Handwheel	Ductile iron
Gasket	See Page 6
Bonnet bolt/nut	ASTM A193 Gr.B7/A194 Gr.2H
Gland bolt/nut	ASTM A576 Gr.1045/A194 Gr.2H
Bonnet bushing	ASTM A182 Gr.F6a
Yoke sleeve	ASTM A439 Tp.D2
Grease nipple	Carbon steel

\*Hard facing with Co-Cr-W Alloy.

Note: Refer to Page 3&6 for standard seat material and construction.

### Dimensions

Nominal Size	Nominal Size															
	2	2½	3	4	5	6	8	10	12	14	16	18	20	22	24	
	50	65	80	100	125	150	200	250	300	350	400	450	500	550	600	
L1	in	11.50	13.00	14.00	17.00	20.00	22.00	26.00	31.00	33.00	35.00	39.00	43.00	47.00	51.00	55.00
	mm	292	330	356	432	508	559	660	787	838	889	991	1092	1194	1295	1397
L2	in	11.50	13.00	14.00	17.00	20.00	22.00	26.00	31.00	33.00	35.00	39.00	43.00	47.00	51.00	55.00
	mm	292	330	356	432	508	559	660	787	838	889	991	1092	1194	1295	1397
H	in	17.6	19.6	21.4	26.2	30.3	35.1	41.9	49.5	57.6	62.7	70.0	81.5	88.8	98.4	107.5
	mm	447	499	544	666	770	892	1065	1257	1464	1593	1779	2071	2256	2500	2730
D	in	7.9	9.8	9.8	11.8	15.7	17.7	19.7	23.6	26.8	29.9	35.8	23.6	23.6	24.0	
	mm	200	250	250	300	400	450	500	600	680	760	910	600	600	610	