



KITZ Corporation Of America
800-772-0073 • www.KITZ.com

THREADED CARBON STEEL BALL VALVE
Two Piece Seal Welded • Regular Port • Stainless Steel Trim • Hypatite Seats
Integral Mounting Pad • Locking Lever Handle
2000 WOG (1/4"-1") and 1500 WOG (1-1/4"-2") • NACE

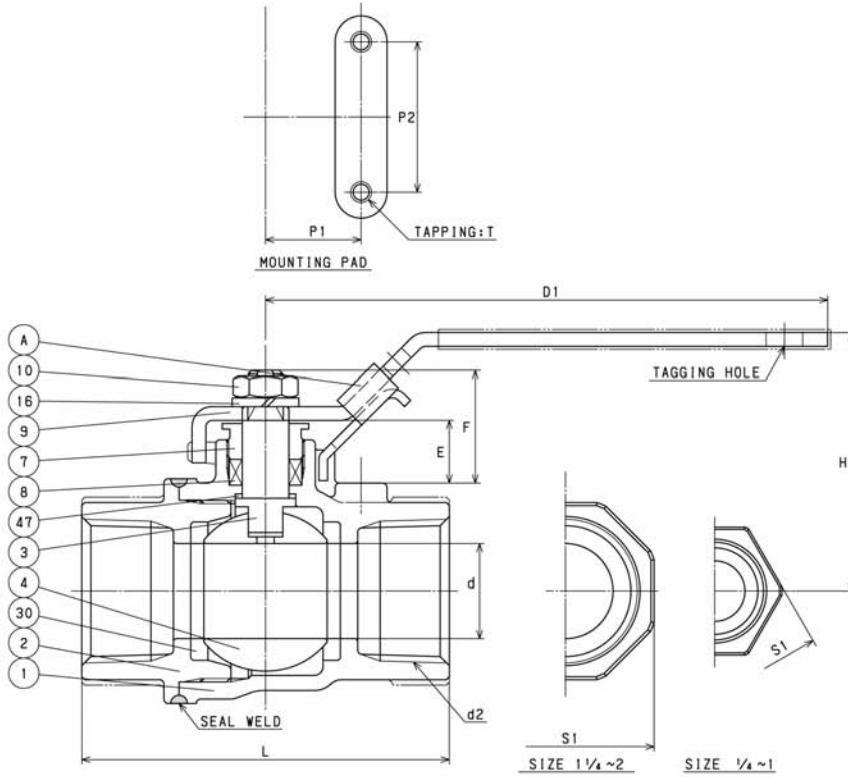
**AKSCTHWZM
CODE NO. 237**

MATERIAL LIST

| No. | Name of Parts | Materials |
|-----|---------------|---------------------------------|
| 1 | BODY | A216 Gr. WCB |
| 2 | BODY CAP | A216 Gr. WCB |
| 3 | STEM | A276 TYPE 316 |
| 4 | BALL | A276 TYPE 316 |
| 7 | GLAND | A276 TYPE 304 |
| 8 | GLAND PACKING | PTFE |
| 9 | HANDLE | CARBON STEEL (1) |
| 10 | HANDLE NUT | A194 Gr. 8 |
| 16 | WASHER | A276 TYPE 304 (SIZE 1/2 & OVER) |
| 30 | BALL SEAT | HYPATITE PTFE |
| 47 | THRUST WASHER | G/F PTFE |
| A | LATCH LOCK | A276 TYPE 304 |

NOTE

- (1) Plastic covering.
- (2) BS 5351 Class 800 (size 1/4 to 1), KITZ standard (size 1 1/4 to 2).
- (3) Valve rating 2000WOG (size 1/4 to 1), 1500WOG (size 1 1/4 to 2).



DIMENSIONS

Unit : inch

| Nominal Size | d | H | D1 | L | d2 | S1 | P1 | P2 | E | F | T |
|--------------|------|------|------|------|-----------|------|------|------|-------|-------|-------------|
| 1/4 | 0.38 | 1.97 | 3.94 | 2.08 | NPT 1/4 | 0.82 | 0.5 | 1.12 | 0.394 | 0.728 | No.10-24UNC |
| 3/8 | 0.46 | 1.97 | 3.94 | 2.08 | NPT 3/8 | 0.94 | 0.5 | 1.12 | 0.425 | 0.760 | No.10-24UNC |
| 1/2 | 0.50 | 2.30 | 4.53 | 2.40 | NPT 1/2 | 1.14 | 0.5 | 1.12 | 0.524 | 0.957 | No.10-24UNC |
| 3/4 | 0.59 | 2.42 | 4.53 | 2.71 | NPT 3/4 | 1.38 | 0.87 | 1.37 | 0.496 | 0.929 | No.10-24UNC |
| 1 | 0.78 | 2.49 | 5.31 | 3.25 | NPT 1 | 1.69 | 0.87 | 1.37 | 0.618 | 1.189 | No.10-24UNC |
| 1 1/4 | 1.00 | 2.65 | 5.31 | 3.54 | NPT 1 1/4 | 2.09 | 0.93 | 1.5 | 0.614 | 1.185 | 1/4-20UNC |
| 1 1/2 | 1.26 | 3.40 | 6.14 | 4.13 | NPT 1 1/2 | 2.32 | 0.93 | 1.5 | 0.858 | 1.449 | 1/4-20UNC |
| 2 | 1.50 | 3.64 | 7.48 | 4.61 | NPT 2 | 2.83 | 0.93 | 1.5 | 0.831 | 1.421 | 1/4-20UNC |



KITZ Corporation Of America
800-772-0073 • www.KITZ.com

THREADED CARBON STEEL BALL VALVE
Two Piece Seal Welded • Regular Port • Stainless Steel Trim • Hypatite Seats
Integral Mounting Pad • Locking Oval Handle
2000 WOG (1/4"-1") and 1500 WOG (1-1/4"-2") • NACE

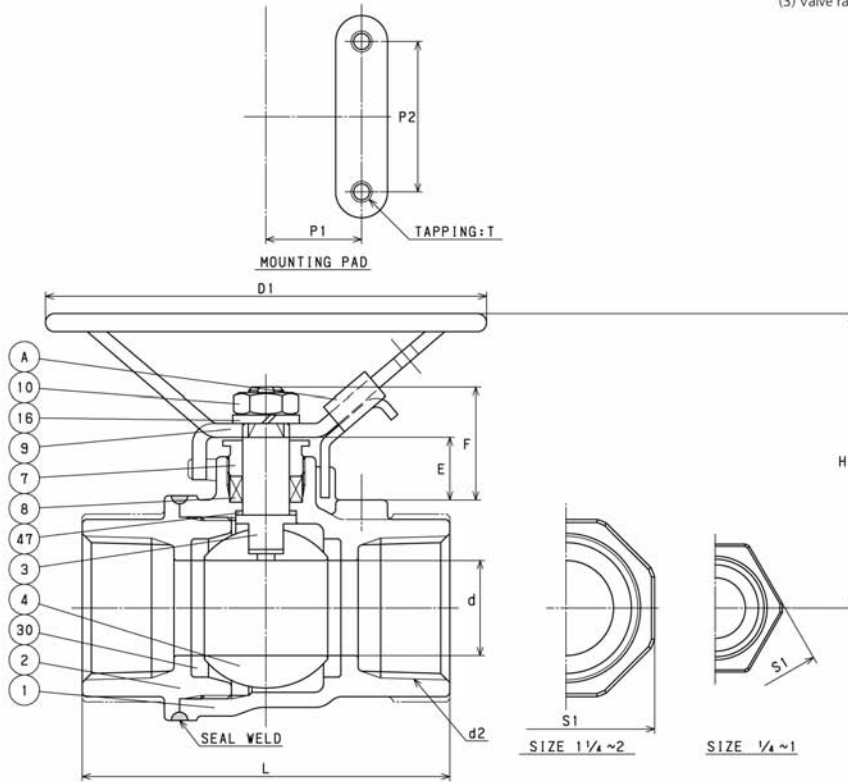
**AKSCTHWZM-O
CODE NO. 237-LOH**

MATERIAL LIST

| No. | Name of Parts | Materials |
|-----|---------------|---------------------------------|
| 1 | BODY | A216 Gr. WCB |
| 2 | BODY CAP | A216 Gr. WCB |
| 3 | STEM | A276 TYPE 316 |
| 4 | BALL | A276 TYPE 316 |
| 7 | GLAND | A276 TYPE 304 |
| 8 | GLAND PACKING | PTFE |
| 9 | HANDLE | CARBON STEEL (1) |
| 10 | HANDLE NUT | A194 Gr. 8 |
| 16 | WASHER | A276 TYPE 304 (SIZE 1/2 & OVER) |
| 30 | BALL SEAT | HYPATITE PTFE |
| 47 | THRUST WASHER | G/F PTFE |
| A | LATCH LOCK | A276 TYPE 304 |

NOTE

- (1) Plastic covering.
- (2) BS 5351 Class 800 (size 1/4 to 1), KITZ standard (size 1 1/4 to 2).
- (3) Valve rating 2000WOG (size 1/4 to 1), 1500WOG (size 1 1/4 to 2).



DIMENSIONS

Unit : inch

| Nominal Size | d | H | D1 | L | d2 | S1 | P1 | P2 | E | F | T |
|--------------|------|------|------|------|-----------|------|------|------|-------|-------|-------------|
| 1/4 | 0.38 | 2.24 | 3.94 | 2.08 | NPT 1/4 | 0.82 | 0.5 | 1.12 | 0.394 | 0.728 | No.10-24UNC |
| 3/8 | 0.46 | 2.24 | 3.94 | 2.08 | NPT 3/8 | 0.94 | 0.5 | 1.12 | 0.425 | 0.760 | No.10-24UNC |
| 1/2 | 0.50 | 2.45 | 3.94 | 2.40 | NPT 1/2 | 1.14 | 0.5 | 1.12 | 0.524 | 0.957 | No.10-24UNC |
| 3/4 | 0.59 | 2.51 | 3.94 | 2.71 | NPT 3/4 | 1.38 | 0.87 | 1.37 | 0.496 | 0.929 | No.10-24UNC |
| 1 | 0.78 | 2.63 | 3.94 | 3.25 | NPT 1 | 1.69 | 0.87 | 1.37 | 0.618 | 1.189 | No.10-24UNC |
| 1 1/4 | 1.00 | 2.81 | 3.94 | 3.54 | NPT 1 1/4 | 2.09 | 0.93 | 1.5 | 0.614 | 1.185 | 1/4-20UNC |
| 1 1/2 | 1.26 | 3.81 | 5.12 | 4.13 | NPT 1 1/2 | 2.32 | 0.93 | 1.5 | 0.858 | 1.449 | 1/4-20UNC |
| 2 | 1.50 | 4.03 | 5.12 | 4.61 | NPT 2 | 2.83 | 0.93 | 1.5 | 0.831 | 1.421 | 1/4-20UNC |