

FIG. 200 BLOCK STYLE

WELD PLATE MOUNT

Size Range: 1/4" outside diameter through 8.625" outside diameter

Hardware Material: 304 Stainless, 316 Stainless, or electro-zinc plated carbon

Plastic Inserts: Polypropylene (blue) up to 212° F
 Santoprene (beige) up to 302° F
 HDPE (white) up to 180° F
 Vekton (black) up to 350° F

Installations: Weld bottom plate to structure or supporting member, let cool before mounting plastic blocks.

Thermal Expansion Guide: -(Optional) Provides for axial expansion of the tube or pipe due to thermal expansion. One set of two per clamp (Inside Back Cover)

Thermal Expansion Guide

Material: Santoprene, 1/16" insert, Black for service identification



| GRP NO. | TUBE OR PIPE SIZE | "D" INCHES | W | H | Z | U | BOLT SIZE | LBS: |
|---------|-------------------|------------|-------------------|-------------------|------------------|-------------------|-----------|------------------|
| 3 | 1/4 T | 0.250 | 1.88" (48 mm) | 1.38" (35 mm) | 1.19" (30 mm) | 0.81" (20 mm) | 1/4-20 | 0.4 (0.18 kg) |
| | 3/8 T | 0.375 | | | | | | |
| | 1/2 T | 0.500 | | | | | | |
| | 3/4 T | 0.750 | | | | | | |
| | 1/2 P | 0.840 | | | | | | |
| 1 T | 1.000 | | | | | | | |
| 6 | 1/4 T | 0.250 | 3.34" (85 mm) | 2.63" (67 mm) | 1.19" (30 mm) | 1.44" (37 mm) | 1/4-20 | 0.6 (0.27 kg) |
| | 3/8 T | 0.375 | | | | | | |
| | 1/2 T | 0.500 | | | | | | |
| | 5/8 T | 0.625 | | | | | | |
| | 3/4 T | 0.750 | | | | | | |
| | 1/2 P | 0.840 | | | | | | |
| | 7/8 T | 0.875 | | | | | | |
| | 1 T | 1.000 | | | | | | |
| | 3/4 P | 1.050 | | | | | | |
| | 1-1/4 T | 1.250 | | | | | | |
| | 1 P | 1.315 | | | | | | |
| 7 | 1-1/2 T | 1.500 | 5.00" (127 mm) | 4.38" (111 mm) | 1.19" (30 mm) | 2.31" (59 mm) | 1/4-20 | 1.1 (0.50 kg) |
| | 1-1/4 P | 1.660 | | | | | | |
| | 1-1/2 P | 1.900 | | | | | | |
| | 2 T | 2.000 | | | | | | |
| | 2 T | 2.000 | | | | | | |
| | 2 P | 2.375 | | | | | | |
| 7A | 2-1/2 T | 2.500 | 5.00" (127 mm) | 4.38" (111 mm) | 1.19" (30 mm) | 2.31" (59 mm) | 1/4-20 | 1.1 (0.50 kg) |
| | 2-1/2 P | 2.875 | | | | | | |
| | 3 T | 3.000 | | | | | | |
| 8 | 3-1/2 T - 3 P | 3.500 | 5.00" (127 mm) | 4.38" (111 mm) | 1.19" (30 mm) | 2.31" (59 mm) | 1/4-20 | 1.1 (0.50 kg) |
| | 4 T | 4.000 | | | | | | |
| 8A | 6 T | 6.000 | 8.88" (226 mm) | 7.65" (194 mm) | 1.50" (38 mm) | 4.01" (102 mm) | 3/8-16 | 4.4 (1.99 kg) |
| | 6P | 6.625 | | | | | | |
| 9 | 8T | 8.000 | 12.5" (318 mm) | 10" (254 mm) | 1.75" (44 mm) | 5.38" (137 mm) | 5/8 - 11 | 12.5 (5.7 kg) |
| | 8P | 8.625 | | | | | | |

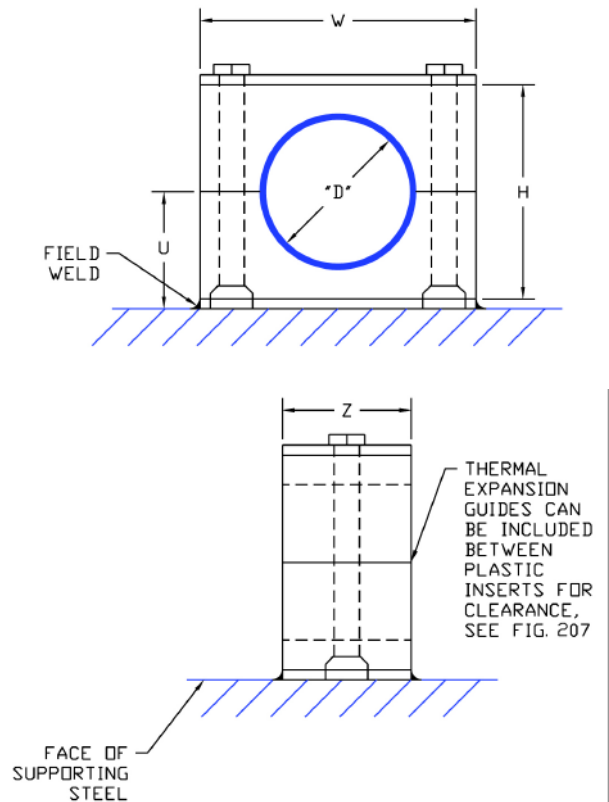


Fig 200 Smooth Bore Weld Plate Mount - Part Number Configurator

Weld Plate Mount
 Weld Mount Fig 200 = Blank

Style
 Smooth Bore Block Style = SB

Hardware Material
 304 Stainless Steel = T
 316 Stainless Steel = X
 Electro-zinc plated carbon = Z

Hardware Group Size
 d Pipe sizes ranging from 0.25" to 1" = 3
 d Pipe sizes ranging from 0.25" to 2" = 6
 d Pipe sizes ranging from 2" to 3.50" = 7
 Group 7A Hardware Size 4 Tube OD
 Pipe sizes ranging from 6" to 6.625" = 8
 size Tube OD sizes from 8" to 8.625" = 9

SB T Z 2375 -PP (-TEG)

Thermal Expansion Guide (optional)
 TEG = Thermal Expansion Guide

Plastic Insert Material
 PP- = Polypropylene, Blue (available in Groups 1-7A)
 SP- = Santoprene, Beige (available in Groups 1-8)
 NN- = HDPE, White (available in Groups 8 & 9)
 HT- = Vekton, Black (available in Groups 8 & 9)

Tube or Pipe Size
 "D" Dimension
 For sizing refer to "D" column on dimensional chart
 apply the number in column without the decimal

Examples of column "D" translation:
 1/4" Tube = 025
 3/4" Pipe = 1050
 1" Pipe = 1315
 2" Pipe = 2375
 4" Tube = 400