

FIG. 202

SLOTTED BASE PLATE MOUNT

Size Range: 1/4" outside diameter through 6.625" outside diameter

Hardware Material: 304 Stainless, 316 Stainless, or electro-zinc plated carbon

Plastic Insert: Polypropylene (blue) up to 212° F
 Santoprene (tan) up to 302° F
 HDPE (white) up to 180° F
 Vekton (black) up to 350° F

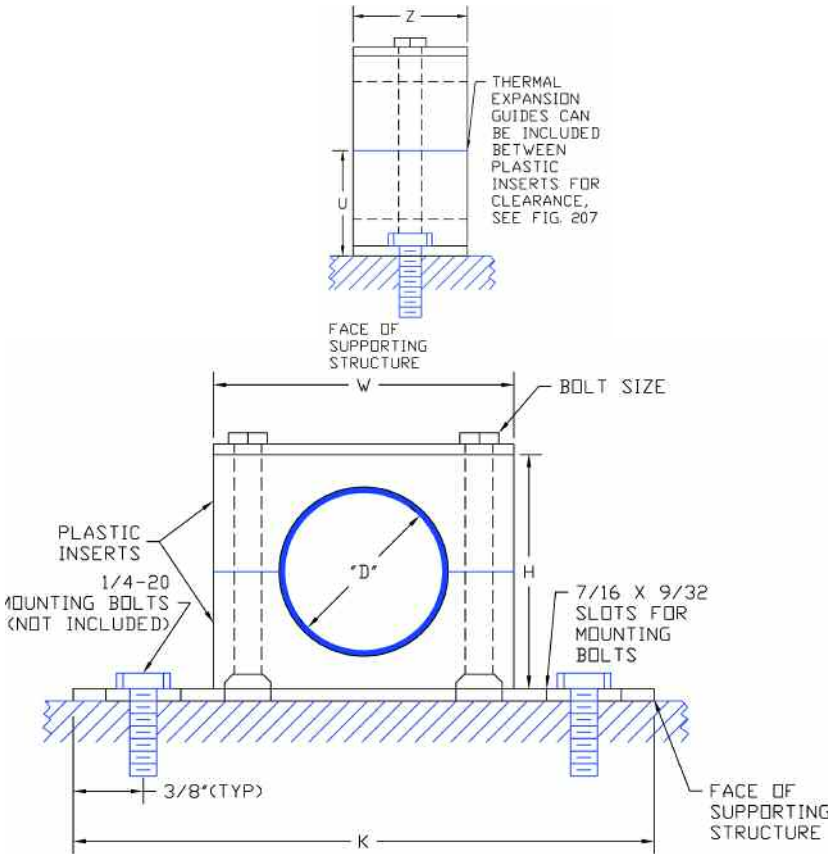
Installation: Locate bolt holes in mounting structure and either tap into structure or use 1/4-20 bolt and nut to secure



Thermal Expansion Guide: -(Optional) Provides for axial expansion of the tube or pipe due to thermal expansion. One set of two per clamp (Inside Back Cover)

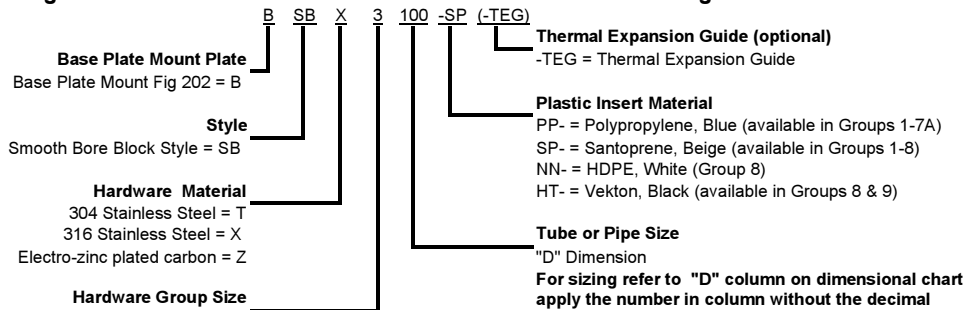
Thermal Expansion Guide

Material: Santoprene, 1/16" insert, Black for service identification



GROUP NO.	TUBE OR PIPE SIZE	"D" INCHES	INCHES					BOLT SIZE	LBS.
			W	H	Z	U	K		
3	1/4 T	0.250	1.88 " (48 mm)	1.38 " (35 mm)	1.19 " (30 mm)	0.81 " (20 mm)	3.50 " (89 mm)	1/4-20	0.4 (0.18 kg)
	3/8 T	0.375							
	1/2 T	0.500							
	3/4 T	0.750							
	1/2 P	0.840							
6	1 T	1.000	3.34 " (85 mm)	2.63 " (67 mm)	1.19 " (30 mm)	1.44 " (37 mm)	4.50 " (114 mm)	1/4-20	0.6 (0.27 kg)
	1/4 T	0.250							
	3/8 T	0.375							
	1/2 T	0.500							
	5/8 T	0.625							
	3/4 T	0.750							
	1/2 P	0.840							
	7/8 T	0.875							
	1 T	1.000							
	3/4 P	1.050							
	1-1/4 T	1.250							
	1 P	1.315							
	7	1-1/2 T							
1-1/4 P		1.660							
1-1/2 P		1.900							
2 T		2.000							
2 T		2.000							
2 P		2.375							
7A	2-1/2 T	2.500	5.77 " (147 mm)	4.8 " (122 mm)	1.19 " (33 mm)	2.54 " (65 mm)	7.20 " (183 mm)	1/4-20	1.5 (0.68 kg)
	2-1/2 P	2.875							
8	3 T	3.000	8.88 " (226 mm)	7.65 " (194 mm)	1.50 " (38 mm)	4.01 " (102 mm)	11.25 " (286 mm)	3/8-16	4.4 (1.97 kg)
	3-1/2 T - 3 P	3.500							
	4 T	4.000							
	6 T	6.000							
	6P	6.625							

Fig 202 Smooth Bore Base Plate Mount - Part Number Configurator



Examples of column "D" translation:

- 1/4" Tube = 025
- 3/4" Pipe = 1050
- 1" Pipe = 1315
- 2" Pipe = 2375
- 4" Tube = 400