

FIG. 221

ROD MOUNT

Size Range: 1/4" outside diameter through 6.625" outside diameter

Hardware Material: 304 Stainless, 316 Stainless, or electro-zinc plated carbon

Plastic Inserts: Polypropylene (blue) up to 212° F
 Santoprene (beige) up to 302° F
 HDPE (white) up to 180° F
 Vekton (black) up to 350° F

Installations: Cut bar in field to proper length. Field weld hang or floor mount bar to support structure. Fig 221 can also be used in combination with the figure 225 or 226 stanchions. This combination will allow the support to be adjusted telescopically to the tube or pipe elevation. Call customer service for the price and availability of special rod lengths.



Thermal Expansion Guide: -(Optional) Provides for axial expansion of the tube or pipe due to thermal expansion. One set of two per clamp. (Inside Back Cover)

Thermal Expansion Guide

Material: Santoprene, 1/16" insert, Black for service identification

GRP NO.	TUBE OR PIPE SIZE	"D" INCHES	W	Z	U	BOLT SIZE	"A" ROD DIA
3	1/4 T	0.250	1.88" (48 mm)	1.19" (30 mm)	0.81" (20 mm)	1/4-20	0.5" (12.7 mm)
	3/8 T	0.375					
	1/2 T	0.500					
	3/4 T	0.750					
	1/2 P	0.840					
	1 T	1.000					
6	1/4 T	0.250	3.34" (85 mm)	1.19" (30 mm)	1.44" (37 mm)	1/4-20	0.5" (12.7 mm)
	3/8 T	0.375					
	1/2 T	0.500					
	5/8 T	0.625					
	3/4 T	0.750					
	1/2 P	0.840					
	7/8 T	0.875					
	1 T	1.000					
	3/4 P	1.050					
	1-1/4 T	1.250					
	1 P	1.315					
	1-1/2 T	1.500					
	1-1/4 P	1.660					
	1-1/2 P	1.900					
7	2 T	2.000	5.00" (127 mm)	1.19" (30 mm)	2.31" (59 mm)	1/4-20	0.75" (19 mm)
	2 T	2.000					
	2 P	2.375					
	2-1/2 T	2.500					
	2-1/2 P	2.875					
	3 T	3.000					
7A	4 T	4.000	5.77" (147 mm)	1.19" (33 mm)	2.54" (65 mm)	1/4-20	0.75" (19 mm)
	4 P	4.500					
8	6 T	6.000	8.88" (226 mm)	1.50" (38 mm)	4.01" (102 mm)	3/8-16	1.00" (25.4 mm)
	6 P	6.625					

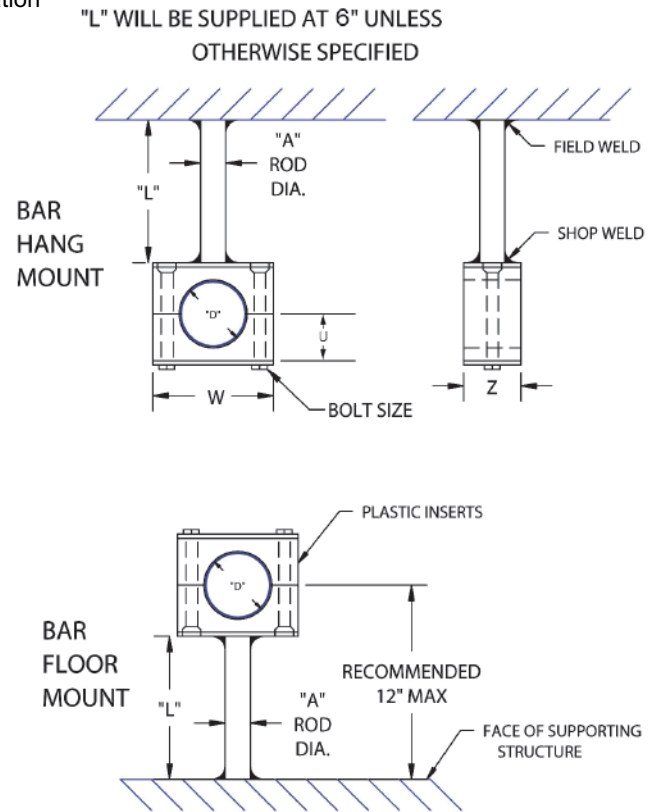


Fig 221 Smooth Bore Rod Mount - Part Number Configurator

Rod Mount
 Rod Mount Assembly Fig. 221 = R

Style
 Smooth Bore Block Style = SB

Hardware Material
 304 Stainless Steel = T
 316 Stainless Steel = X
 Electro-zinc plated carbon = Z

Hardware Group Size
 Group 3 Hardware Size Tube OD and Pipe sizes ranging from 0.25" to 1" = 3
 Group 6 Hardware Size Tube OD and Pipe sizes ranging from 0.25" to 2" = 6
 Group 7 Hardware Size Tube OD and Pipe sizes ranging from 2" to 3.50" = 7
 Group 7A Hardware Size Tube OD and Pipe sizes ranging from " to 4.5" = 7A
 Group 8 Hardware Size Tube OD and Pipe sizes ranging from 6" to 6.625" = 8

Thermal Expansion Guide (optional)
 TEG = Thermal Expansion Guide

Rod Length
 6" = 06
 12" = 12
 18" = 18
 24" = 24
 Special Lengths are available

Plastic Insert Material
 PP = Polypropylene, Blue (available in Groups 1-7A)
 SP = Santoprene, Beige (available in Group 1-8)
 NN = HDPE, White (available in Groups 8 & 9)
 HT = Vekton, Black (available in Groups 8 & 9)

Tube or Pipe Size
 "D" Dimension
 For sizing refer to "D" column on dimensional chart apply the number in column without the decimal

Part Number Example: R SB Z 6 1050 -PP -06 (-TEG)