



Fast, Effective Impact Cleaning

Alfa Laval TJ MultiJet 50 Rotary Jet Head (4 nozzles)

Application

The Toftejorg MultiJet 50 rotary jet head provides 3D indexed impact cleaning over a defined time period. It is automatic and represents a guaranteed means of achieving quality assurance in tank cleaning. The device is suitable for processing, storage and transportation tanks and vessels between 250 and 1,250 m³.

Working principle

The flow of the cleaning fluid makes the nozzles perform a geared rotation around the vertical and horizontal axes. In the first cycle, the nozzles lay out a coarse pattern on the tank surface. The subsequent cycles gradually make the pattern more dense, until a full pattern is reached after 8 cycles.



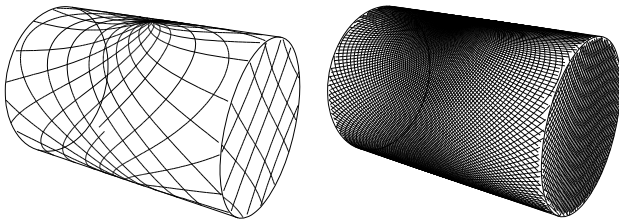
TECHNICAL DATA

Lubricant: Self-lubricating with the cleaning fluid
 Max throw length: 9 - 26 m
 Impact throw length: 5 - 14 m

Pressure

Working pressure: 3 - 12 bar
 Recommended pressure: 5 - 6.5 bar

Cleaning Pattern



First cycle

Full pattern

The above drawings show the cleaning pattern achieved on a cylindrical horizontal vessel. The difference between the first cycle and the full pattern represents the number of additional cycles available to increase the density of the cleaning.

Certificates

2.1

PHYSICAL DATA

Materials

1.4404 (316L), PTFE, PVDF, PEEK, Carbon, ETFE, TFM.

Surface finish: Mat

Temperature

Max. working temperature: 95°C

Max. ambient temperature: 140°C

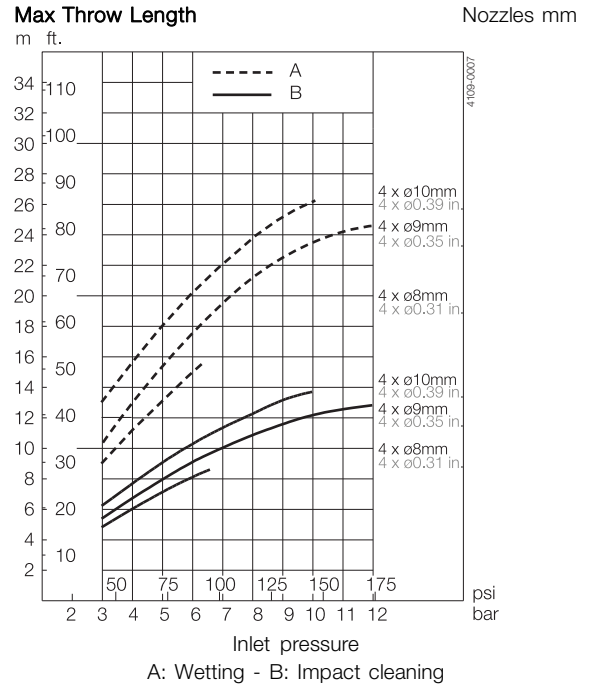
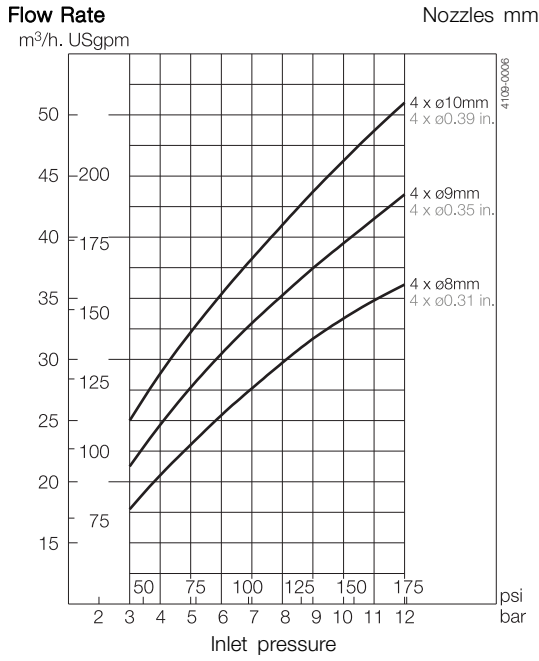
Weight: 12.2 kg

Connections

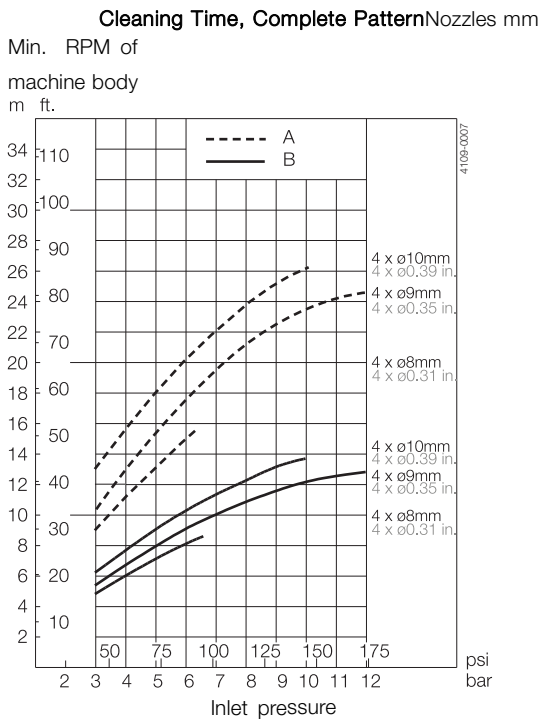
Standard female thread: 2" Rp (BSP) NPT, female

Caution

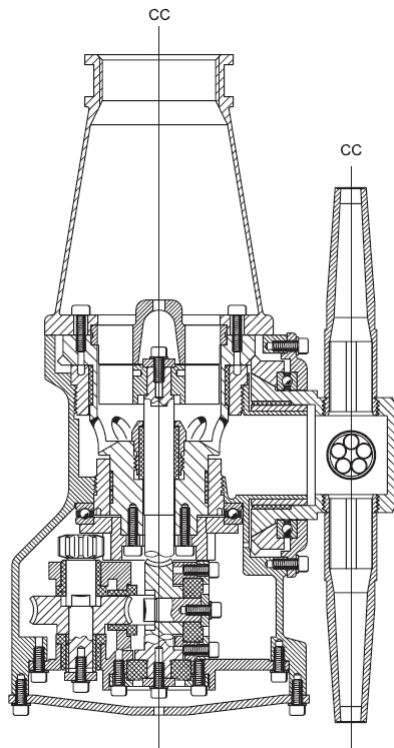
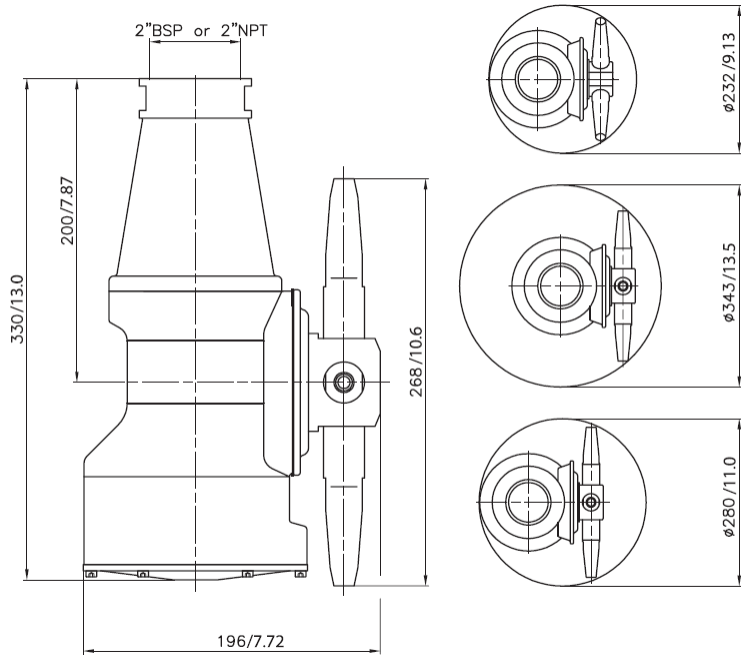
Do not use for gas evacuation or air dispersion.



Flow rate



Dimensions (mm / inch)



Standard Design

The choice of nozzle diameters can optimise jet impact length and flow rate at the desired pressure. The Toftejorg MultiJet 25 is also available with PEEK impeller. A welding adaptor with sealing for 1" ISO, 1" ANSI, 1 1/2" ISO Dairy Pipe or 1 1/2" SWG Pipe is available as an accessory.

Ordering

Please specify nozzle size, inlet/guide configuration and connections and confirm application suitability Sizing/selection and installation drawings are available in Alfa Laval's Selection Tools for Tank Cleaning

Equipment

Options

Electronic rotation sensor to verify 3D coverage

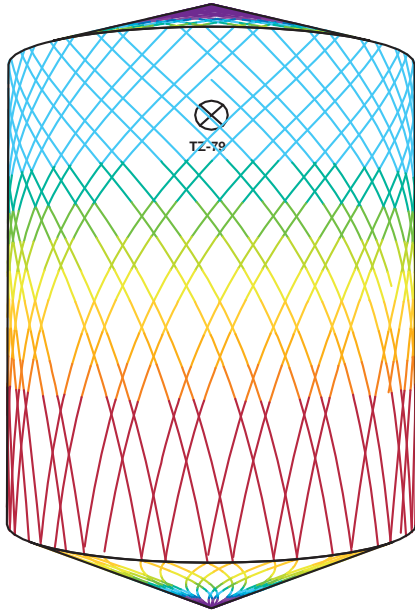
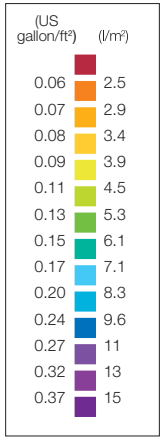
TRAX simulation tool

TRAX is a unique software that simulates how the Toftejorg MJ50 performs in a specific tank or vessel.

The simulation PPI00381EN 0910 Alfa Laval reserves the right to change specifications without prior notification. How to contact Alfa Laval Up-to-date Alfa Laval contact details for all countries are always available on our website at www.alfalaval.com. gives information on wetting intensity, pattern mesh width and cleaning jet velocity. This information is used to determine the best location of the tank cleaning machine and the correct combination of flow, time and pressure to implement.

A TRAX demo containing different cleaning simulations covering a variety of applications can be used as reference and documentation for tank cleaning applications. A TRAX simulation is free and available upon request.

Wetting Intensity



D8m H10m, Toftejorg MJ50, 4 x ø10mm 0 % Time = 5.5 min., Water consumption = 2565 l



D8m H10m, Toftejorg MJ50, 4 x ø10 mm, 0 % Time = 23.3 min., Water consumption = 10868 l

Alfa Laval reserves the right to change specifications without prior notification. ALFA LAVAL is a trademark registered and owned by Alfa Laval Corporate AB.