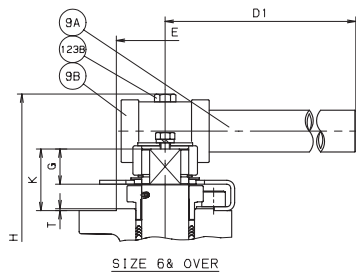
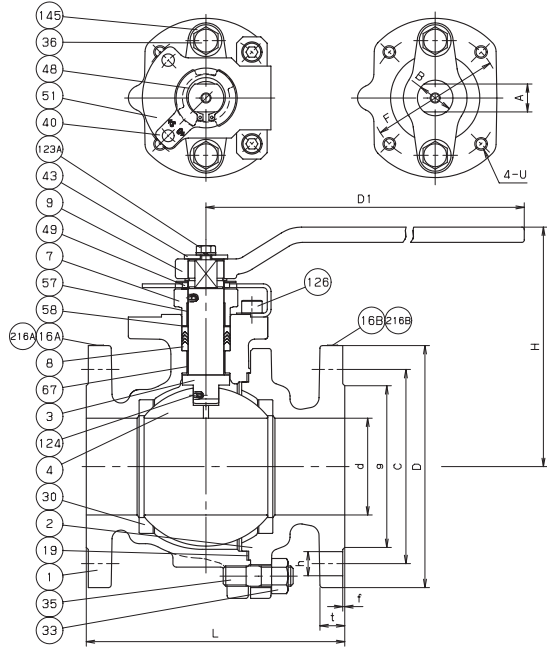
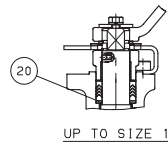


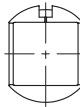
## 150UTDZM 150UTDZM-FS



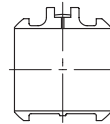
SIZE 6 & OVER



UP TO SIZE 1



SIZE 5, 6



SIZE 8 ONLY  
CORED CAVITY

### MATERIAL LIST

No.	Name of Parts	Materials
1	BODY	A351 Gr. CF8M
2	BODY CAP	A351 Gr. CF8M
3	STEM	A276 TYPE316
4	BALL	A276 TYPE316 or A351 Gr. CF8M
7	GLAND	A351 Gr. CF8
8	GLAND PACKING	150UTDZM PTFE 150UTDZM-FS FLEXIBLE GRAPHITE
9	HANDLE	DUCTILE IRON(UP TO SIZE 5)
9 A	HANDLE BAR	CARBON STEEL(SIZE 6 & OVER)
9 B	HANDLE HEAD	DUCTILE IRON(SIZE 6 & OVER)
16 A	NAME PLATE	A276 TYPE304
16 B	LEV PLATE	A276 TYPE304
19	GASKET	150UTDZM PTFE 150UTDZM-FS FLEXIBLE GRAPHITE
20	PACKING WASHER	A276 TYPE316L(UP TO SIZE 1)
30	BALL SEAT	HYPATITE® PTFE
33	CAP NUT	A194 Gr. 8M
35	CAP BOLT	A193 Gr. B8M
36	GLAND BOLT	STAINLESS STEEL
40	KEYLOCK PLATE	A276 TYPE304
43	HANDLELOCK PLATE	A276 TYPE304
48	SNAP RING	A276 TYPE304
49	STOPPER	A276 TYPE304
51	STOPPER PLATE	A276 TYPE304
57	GLAND BUSHING	G/F PTFE
58	GLAND WASHER	A276 TYPE304
67	STEM BEARING	G/F PTFE
123 A	HANDLELOCK PLATE BOLT	STAINLESS STEEL
123 B	HANDLE BOLT	STAINLESS STEEL
124	SPRING & PIN	A313 & A276 TYPE316
126	STOPPER PLATE BOLT	STAINLESS STEEL
145	CONED DISC SPRINGS	Inconel® 718 or Equivalent
216 A	CE PLATE	A276 TYPE304(SIZE 1 1/2 & OVER)
216 B	ATEX PLATE	A276 TYPE304

### DIMENSIONS

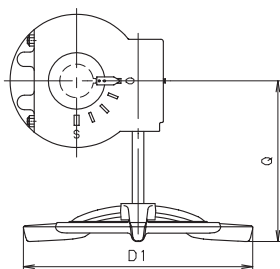
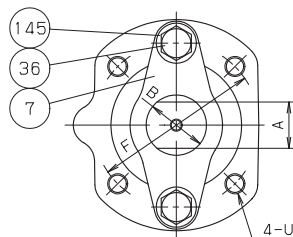
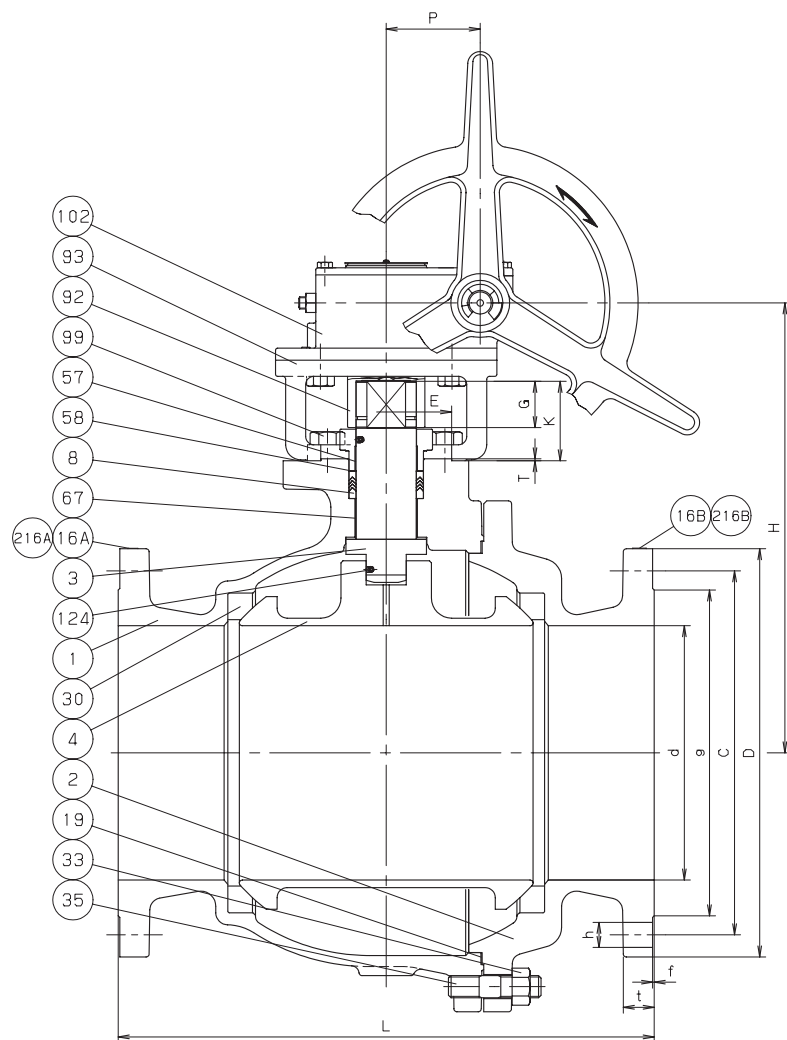
Unit : inch

Nominal Size		End Flange										Mounting Dimensions for Actuator										
in.	mm	d	H	D1	L	D	Bolt Hole			Bolt Size	g	t	f	A	B	E	F	G	K	T	U	ISO 5211 Flange Type
							C	No.	h													
1/2	15	0.55	4.53	6.30	4.25	3.50	2.38	4	0.62	1/2	1.38	0.44	0.06	0.36	0.47	0.99	1.42	0.37	0.85	0.06	1/4-20UNC	F03
3/4	20	0.75	4.72	6.30	4.62	3.88	2.75	4	0.62	1/2	1.69	0.44	0.06	0.36	0.47	0.99	1.42	0.37	0.85	0.06	1/4-20UNC	F03
1	25	0.95	5.28	7.09	5.00	4.25	3.12	4	0.62	1/2	2.00	0.44	0.06	0.55	0.71	1.38	1.97	0.51	1.26	0.08	1/4-20UNC	F05
1 1/2	40	1.50	5.63	9.06	6.50	5.00	3.88	4	0.62	1/2	2.88	0.56	0.06	0.67	0.87	2.17	2.76	0.67	1.34	0.08	5/16-18UNC	F07
2	50	1.97	5.98	9.06	7.00	6.00	4.75	4	0.75	5/8	3.62	0.62	0.06	0.67	0.87	2.17	2.76	0.67	1.34	0.08	5/16-18UNC	F07
2 1/2	65	2.52	8.11	15.75	7.50	7.00	5.50	4	0.75	5/8	4.12	0.69	0.06	0.87	1.10	2.76	4.02	0.87	1.77	0.08	3/8-16UNC	F10
3	80	3.00	8.39	15.75	8.00	7.50	6.00	4	0.75	5/8	5.00	0.75	0.06	0.87	1.10	2.76	4.02	0.87	1.77	0.08	3/8-16UNC	F10
4	100	3.94	10.08	18.11	9.00	9.00	7.50	8	0.75	5/8	6.19	0.94	0.06	1.06	1.42	3.35	4.92	1.06	1.97	0.08	1/2-13UNC	F12
6	150	5.95	12.60	39.37	15.50	11.00	9.50	8	0.88	3/4	8.50	1.00	0.06	1.42	1.89	3.94	5.51	1.42	2.48	0.08	5/8-11UNC	F14
8	200	7.95	16.34	59.06	18.00	13.50	11.75	8	0.88	3/4	10.62	1.12	0.06	1.81	2.36	5.12	6.50	1.81	3.07	0.08	3/4-10UNC	F16

## G-150UTDZM

### MATERIAL LIST

No.	Name of Parts	Materials
1	BODY	A351 Gr. CF8M
2	BODY CAP	A351 Gr. CF8M
3	STEM	A276 TYPE316
4	BALL	A351 Gr. CF8M
7	GLAND	A351 Gr. CF8
8	GLAND PACKIING	G-150SCTDZM PTFE G-150SCTDZM-FS FLEXIBLE GRAPHITE
16 A	NAME PLATE	A276 TYPE304
16 B	LEV PLATE	A276 TYPE304
19	GASKET	G-150SCTDZM PTFE G-150SCTDZM-FS FLEXIBLE GRAPHITE
30	BALL SEAT	HYPATITE® PTFE
33	CAP NUT	A194 Gr. 8M
35	CAP BOLT	A193 Gr. B8M
36	GLAND BOLT	STAINLESS STEEL
57	GLAND BUSHING	G/F PTFE
58	GLAND WASHER	A276 TYPE304
67	STEM BEARING	G/F PTFE
92	CONNECTOR	CARBON STEEL
93	BRACKET	DUCTILE IRON
99	BOLT	STAINLESS STTEL
102	GEAR UNIT	
124	SPRING & PIN	A313 & A276 TYPE316
145	CONED DISC SPRINGS	Inconel® 718 or Equivalent
216 A	CE PLATE	A276 TYPE304
216 B	ATEX PLATE	A276 TYPE304



### DIMENSIONS

Unit : inch

Nominal Size		End Flange											Mounting Dimensions for Actuator											
in.	mm	d	H	D1	L	D	Bolt Hole			Bolt Size	g	t	f	P	Q	A	B	E	F	G	K	T	U	ISO 5211 Flange Type
							C	No.	h															
10	250	9.96	17.64	19.69	21.00	16.00	14.25	12	1.00	7/8	12.75	1.19	0.06	3.68	14.29	1.81	2.36	5.12	6.50	1.81	3.07	0.08	M20	F16