



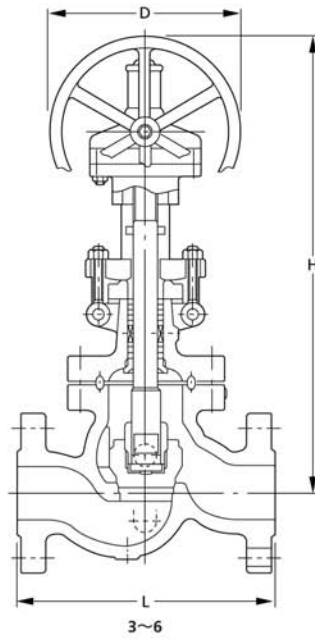
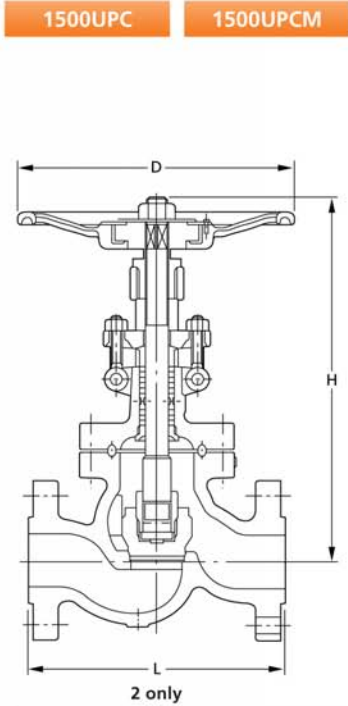
KITZ Corporation Of America  
800-772-0073 • www.KITZ.com

Design - B16.34, OS&Y, BB, RFF, Swivel Type Plug Disc, LEV - 100 PPM max.  
Wall Thickness - API 600  
Body Materials - ASTM A351, A494, A890, A990, others upon request

**Class 1500**

**GLOBE VALVE**

Pressure-Temperature Rating: ASME B 16.34



Gear Operation  
Standard for Nominal Size 3 & larger  
Hammer-blow Type Handwheel for 2

**Materials**

Parts	1500UPC	1500UPCM
Body*	CF8	CF8M
Bonnet	CF8	CF8M
Stem	304	316
Disc*	CF8	CF8M
Lock nut	CF8	CF8M
Gland	304	316
Gland flange	CF8	
Gland packing	Refer to Page 10	
Gasket	Refer to Page 10	
Yoke bush	Ductile Ni-resist	
Handwheel	Ductile iron	
Gland bolt/nut	B8/8	
Gland bolt pin	403	
Bonnet bolt/nut	B8/8	
Yoke**	CF8	
Name plate	304	

\*Body seats and/or disc seats can be optionally hard-faced.  
\*\*Yoke is separated from bonnet for size 3 and larger.

Note: All integral seats

Gear operation for size 2 1/2 to 6      Hammer-blow type handwheel for size 2

Items	
Face-to-Face Dimensions	ASME B16.10
End Flange Dimensions	ASME B16.5
Wall Thickness	API 600 Class 1500

Nominal Size	2		3		4		6	
	in.	mm	in.	mm	in.	mm	in.	mm
L	in.	14.50	in.	18.50	in.	21.50	in.	27.75
	mm	368	mm	470	mm	546	mm	705
H (open)	in.	21.5	in.	37.2	in.	43.4	in.	53.8
	mm	546	mm	946	mm	1102	mm	1366
D	in.	13.8	in.	19.7	in.	23.6	in.	23.6
	mm	350	mm	500	mm	600	mm	600