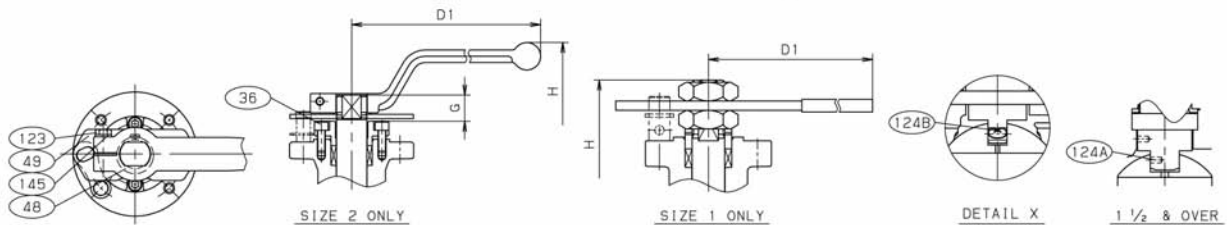
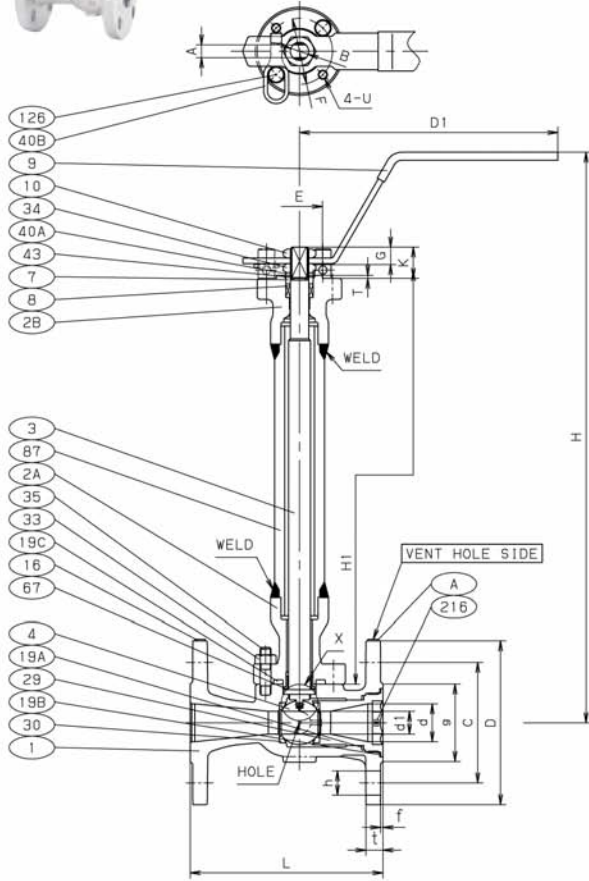




KITZ Corporation Of America
800-772-0073 • www.KITZ.com

CRYOGENIC (-320°F)
CLASS 150 STAINLESS STEEL BALL VALVE/FLANGED
One Piece/End Entry • Regular Port • Stainless Steel Trim • Hypatite Seats
CAPI/ISO5211 Mounting Pad



MATERIAL LIST

No.	Name of Parts	Materials
1	BODY	A351 Gr. CF8M
2A	BONNET	A276 TYPE 316 or A479 TYPE 316
2B	BONNET	A276 TYPE 316 or A479 TYPE 316
3	STEM	A564 TYPE 630
4	BALL	A276 TYPE 316
7	GLAND	A276 TYPE 316 or A479 TYPE 316 (SIZE 1/2-1 1/2)
		A351 Gr. CF8M or A276 TYPE 316 or A479 TYPE 316 (SIZE 2 ONLY)
8	GLAND PACKING	(1)
9	HANDLE	STAINLESS STEEL (2) (SIZE 1/2-1 1/2) DUCTILE IRON (SIZE 2 ONLY)
10	HANDLE NUT	STAINLESS STEEL
16	NAME PLATE	STAINLESS STEEL
19A	GASKET	PTFE
19B	GASKET	FLEXIBLE GRAPHITE
19C	GASKET	(3)
29	INSERT	A182 Gr. F316 (SIZE 1/2-1 1/2) A351 Gr. CF8M (SIZE 2 ONLY)
30	BALL SEAT	HYPATITE PTFE
33	BONNET NUT	A194 Gr. 8M
34	GLAND NUT	STAINLESS STEEL
35	BONNET BOLT	A320 Gr. B8M
36	GLAND BOLT	A193 Gr. B8M
40A	LOCK PLATE	STAINLESS STEEL (SIZE 1/2-1 1/2)
40B	KEY LOCK PLATE	STAINLESS STEEL
43	CONED DISC SPRING	STAINLESS STEEL (SIZE 1/2-1 1/2)
48	SNAP RING	STAINLESS STEEL
49	STOPPER	STAINLESS STEEL
67	STEM BEARING	C/F PTFE (5) (UP TO SIZE 1) G/F PTFE (SIZE 1 1/2 & OVER)
87	PIPE	A312 TYPE 316
123	HANDLE BOLT	STAINLESS STEEL
124A	SPRING & PIN	A313 & A276 TYPE 316
124B	RING SPRING	A276 TYPE 316 (UP TO SIZE 1)
126	STOPPER PIN	STAINLESS STEEL
145	SPRING WASHER	STAINLESS STEEL
216	PRESSURE DIRECTION PLATE	STAINLESS STEEL
A	VENT HOLE SIDE PLATE	STAINLESS STEEL

NOTE

- Flexible graphite cored PTFE braided packing + flexible graphite packing.
- Plastic covering.
- Flexible graphite spiral wound.
- Please install valve so that the arrow indicated should be in the above direction.
- Valves have an anti-static stem bearing insuring positive conductivity between body and stem.
- Dimensions A and B are not in accordance with ISO 5211.

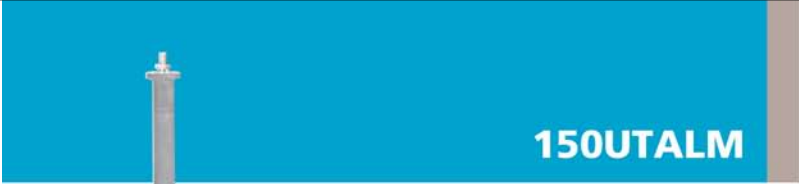
DIMENSIONS

Nominal Size	End Flange																				Mounting Dimensions for Actuator								Unit : inch	
	in.	mm	d	d1	D1	L	Bolt Hole				Bolt Size	g	t	f	A	B	E	F	G	K	T	U	ISO 5211 Flange Type	H	H1					
							D	C	No.	h																				
1/2	15	0.49	0.39	5.51	4.25	3.50	2.38	4	0.62	1/2	1.38	0.44	0.06	0.276	0.394	0.985	1.42	0.35	0.67	0.06	1/4-20UNC	F03 (6)	12.28	8.86						
3/4	20	0.75	0.49	5.51	4.62	3.88	2.75	4	0.62	1/2	1.69	0.44	0.06	0.276	0.394	0.985	1.42	0.35	0.67	0.06	1/4-20UNC	F03 (6)	12.36	8.86						
1	25	0.98	0.67	6.30	5.00	4.25	3.12	4	0.62	1/2	2.00	0.44	0.06	0.434	0.552	1.182	1.65	0.51	1.02	0.06	1/4-20UNC	F04	10.55	8.80						
1 1/2	40	1.50	1.18	7.09	6.50	5.00	3.88	4	0.62	1/2	2.88	0.56	0.06	0.552	0.709	1.378	1.97	0.55	1.26	0.08	1/4-20UNC	F05	15.94	10.98						
2	50	2.00	1.50	9.06	7.00	6.00	4.75	4	0.75	5/8	3.62	0.62	0.06	0.670	0.867	2.166	2.76	0.67	1.34	0.08	5/16-18UNC	F07	16.57	11.42						

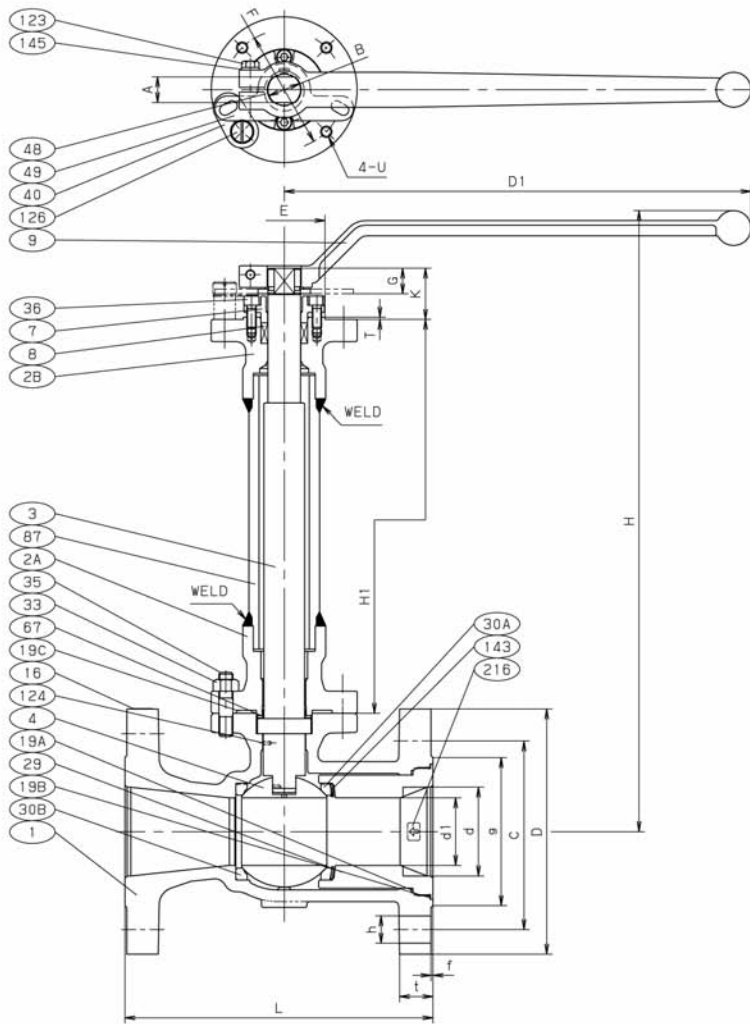


KITZ Corporation Of America
800-772-0073 • www.KITZ.com

CRYOGENIC (-320°F)
CLASS 150 STAINLESS STEEL BALL VALVE/FLANGED
One Piece/End Entry • Regular Port • Stainless Steel Trim • Hypatite Seats
CAPI/ISO5211 Mounting Pad



150UTALM



MATERIAL LIST

No.	Name of Parts	Materials
1	BODY	A351 Gr. CF8M
2A	BONNET	A276 TYPE 316 or A479 TYPE 316
2B	BONNET	A276 TYPE 316 or A479 TYPE 316
3	STEM	A564 TYPE 630
4	BALL	A351 Gr. CF8M
7	GLAND	A351 Gr. CF8M or A276 TYPE 316 or A479 TYPE 316
8	GLAND PACKING	(1)
9	HANDLE	DUCTILE IRON
16	NAME PLATE	STAINLESS STEEL
19A	GASKET	PTFE
19B	GASKET	FLEXIBLE GRAPHITE
19C	GASKET	(2)
29	INSERT	A351 Gr. CF8M
30A	BALL SEAT	HYPATITE PTFE
30B	BALL SEAT	HYPATITE PTFE
33	BONNET NUT	A194 Gr. 8M
35	BONNET BOLT	A320 Gr. B8M
36	GLAND BOLT	A193 Gr. B8M
40	KEY LOCK PLATE	STAINLESS STEEL
48	SNAP RING	STAINLESS STEEL
49	STOPPER	STAINLESS STEEL
67	STEM BEARING	G/F PTFE
87	PIPE	A312 TYPE 316
123	HANDLE BOLT	STAINLESS STEEL
124	SPRING & PIN	STAINLESS STEEL
126	STOPPER PIN	STAINLESS STEEL
143	SEAT SPRING	UNS NO7750
145	SPRING WASHER	STAINLESS STEEL
216	PRESSURE DIRECTION PLATE	STAINLESS STEEL

NOTE

- (1) Flexible graphite cored PTFE braided packing + flexible graphite packing.
- (2) Flexible graphite spiral wound.
- (3) Please install valve so that the arrow indicated should be in the above direction.

DIMENSIONS

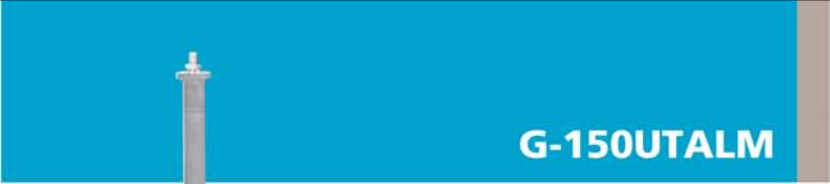
Unit : inch

Nominal Size	End Flange													Mounting Dimensions for Actuator										
	in.	mm	d	d1	D1	L	D	C	No.	h	Bolt Size	g	t	f	A	B	E	F	G	K	T	U	ISO 5211 Flange Type	H
3	80	3.00	2.28	15.75	8.00	7.50	6.00	4	0.75	3/8	5.00	0.75	0.06	0.867	1.103	2.756	4.02	0.87	1.73	0.08	3/8-16UNC	F10	20.94	13.27
4	100	4.00	3.00	15.75	9.00	9.00	7.50	8	0.75	3/8	6.19	0.94	0.06	0.867	1.103	2.756	4.02	0.87	1.73	0.08	3/8-16UNC	F10	21.57	13.27

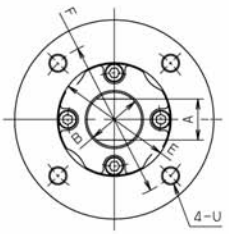
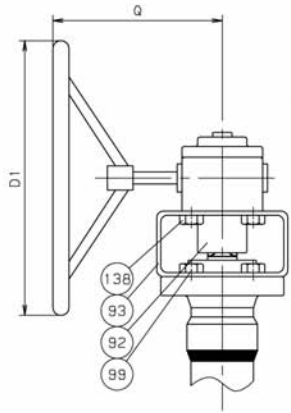
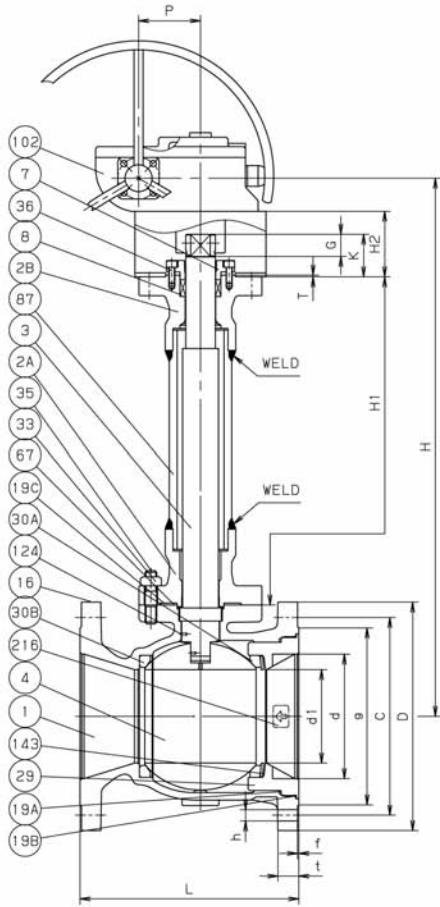


KITZ Corporation Of America
800-772-0073 • www.KITZ.com

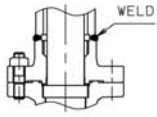
**GEAR OPERATED
CRYOGENIC (-320°F)
CLASS 150 STAINLESS STEEL BALL VALVE/FLANGED**
One Piece/End Entry • Regular Port • Stainless Steel Trim • Hypatite Seats
CAPI/ISO5211 Mounting Pad



G-150UTALM



ACTUATOR MOUNTING



SIZE B, 10

MATERIAL LIST

No.	Name of Parts	Materials
1	BODY	A351 Gr. CF8M
2A	BONNET	A276 TYPE 316 or A479 TYPE 316
2B	BONNET	A276 TYPE 316 or A479 TYPE 316
3	STEM	A564 TYPE 630
4	BALL	A351 Gr. CF8M
7	GLAND	A351 Gr. CF8M or A276 TYPE 316 or A479 TYPE 316
8	GLAND PACKING	(1)
16	NAME PLATE	STAINLESS STEEL
19A	GASKET	PTFE
19B	GASKET	FLEXIBLE GRAPHITE
19C	GASKET	(2)
29	INSERT	A351 Gr. CF8M
30A	BALL SEAT	HYPATITE PTFE
30B	BALL SEAT	HYPATITE PTFE
33	BONNET NUT	A194 Gr. 8M
35	BONNET BOLT	A320 Gr. B8M
36	GLAND BOLT	A193 Gr. B8M
67	STEM BEARING	G/F PTFE
87	PIPE	A312 TYPE 316
92	CONNECTOR	CARBON STEEL
93	BRACKET	CARBON STEEL
99	BOLT	CARBON STEEL
102	GEAR UNIT	
124	SPRING & PIN	A313 or A276 TYPE 316
138	BOLT	CARBON STEEL
143	SEAT SPRING	UNS NO7750
216	PRESSURE DIRECTION PLATE	STAINLESS STEEL

NOTE

- (1) Flexible graphite cored PTFE braided packing + flexible graphite packing.
- (2) Flexible graphite spiral wound.
- (3) Please install valve so that the arrow indicated should be in the above direction.

Unit : inch

Nominal Size		H	H1	H2	L	D1
in.	mm					
6	150	25.91	15.75	3.15	15.50	15.75
8	200	28.05	15.94	3.94	18.00	15.75
10	250	32.93	18.11	4.72	21.00	19.69

DIMENSIONS

Nominal Size	End Flange										Mounting Dimensions for Actuator											
	in.	mm	d	d1	D	C	No.	h	Bolt Size	g	t	f	P	Q	A	B	E	F	G	K	T	U
6	150	6.00	4.49	11.00	9.50	8	0.88	3/4	8.50	1.00	0.06	3.39	13.39	1.063	1.418	3.347	4.92	1.06	2.05	0.08	1/2-13UNC	F12
8	200	8.00	5.67	13.50	11.75	8	0.88	3/4	10.62	1.12	0.06	3.39	13.39	1.418	1.890	3.937	5.51	1.42	2.54	0.08	5/8-11UNC	F14
10	250	10.00	7.36	16.00	14.25	12	1.00	7/8	12.75	1.19	0.06	5.12	14.37	1.811	2.363	5.119	6.50	1.81	3.07	0.08	3/4-10UNC	F16