

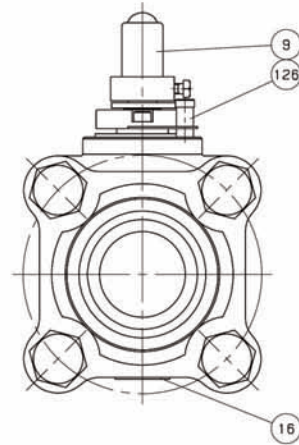
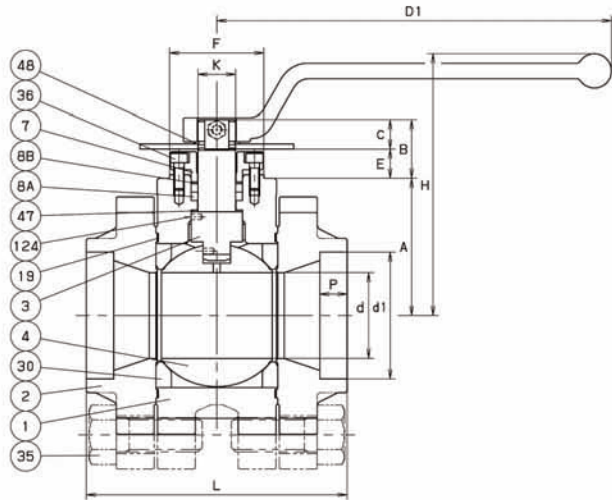
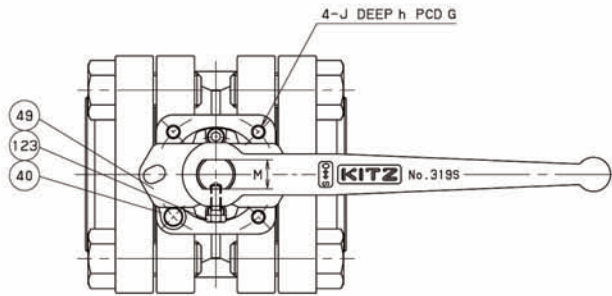


KITZ Corporation Of America
800-772-0073 • www.KITZ.com

SOCKET WELD CARBON STEEL BALL VALVE
Three Piece • Regular Port • Stainless Steel Trim • Hypatite Seats
ISO 5211 Mounting Pad (KITZ Standard Mounting Pad on 1/2")
Lockable Lever Handle • Firesafe in Accordance with API 607
Encapsulated Body Bolts • 1000 WOG • NACE

Steel Ball Valves

AWSC3THZM-FS
CODE NO. 319S



MATERIAL LIST

No.	Name of Parts	Materials
1	BODY	A216 Gr. WCB
2	CAP	A216 Gr. WCB
3	STEM	A276 TYPE316
4	BALL	A351 Gr. CF8M
7	GLAND	A351 Gr. CF8
8A	GLAND PACKING	FLEXIBLE GRAPHITE
8B	SPACER PACKING	G/F PTFE
9	HANDLE	DUCTILE IRON
16	NAME PLATE	STAINLESS STEEL
19	GASKET	(2)
30	BALL SEAT	HYPATITE PTFE
35	CAP BOLT	A193 Gr. B8
36	GLAND BOLT	A193 Gr. B8
40	KEY LOCK PLATE	STAINLESS STEEL
47	THRUST WASHER	25% CARBON FILLED PTFE (1)
48	SNAP RING	STAINLESS STEEL
49	STOPPER	STAINLESS STEEL
123	HANDLE BOLT	STAINLESS STEEL
124	SPRING & PIN	A313 & A276 TYPE316
126	STOPPER PIN	STAINLESS STEEL

NOTE

- (1) All valves have an anti-static thrust washer insuring positive conductivity between body and stem.
- (2) Stainless foil inserted flexible graphite.

DIMENSIONS

Nominal Size	Mounting Dimensions for Actuator																ISO 5211 Flange Type
	in.	d	H	D1	L	d1	P	A	B	C	E	F	K	G	J	h	
2 1/2	50	152	230	152	74	16	80	34	17	17	55	22	70	3/16-18UNC	15	17	F07

Unit : mm

Nominal Size	Mounting Dimensions for Actuator																ISO 5211 Flange Type
	in.	d	H	D1	L	d1	P	A	B	C	E	F	K	G	J	h	
2 1/2	1.97	5.98	9.06	5.98	2.91	0.63	3.150	1.339	0.669	0.669	2.165	0.866	2.756	3/16-18UNC	0.591	0.669	F07

Unit : inch