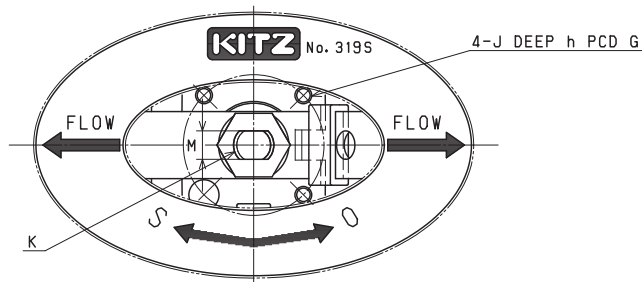


AWSC3THZM-FSO CODE NO. 319S-LOH

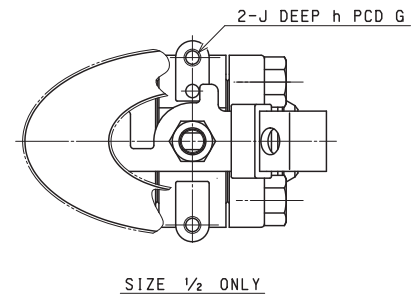
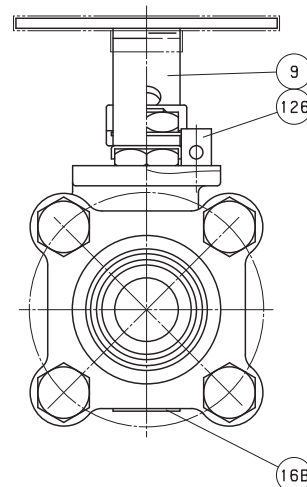
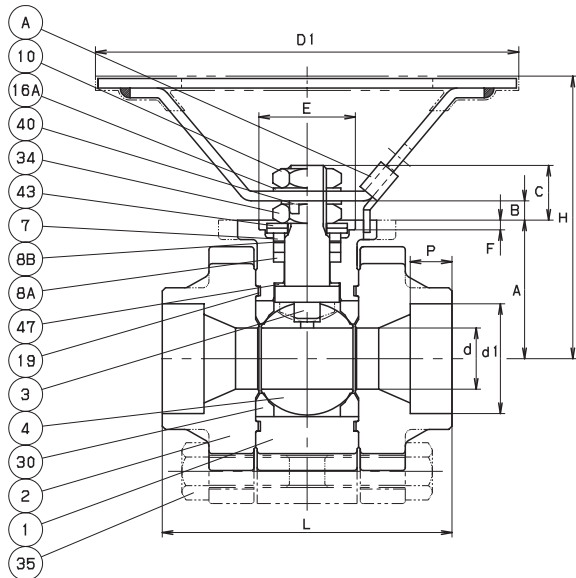
MATERIAL LIST

No.	Name of Parts	Materials
1	BODY	A216 Gr. WCB
2	CAP	A216 Gr. WCB
3	STEM	A276 TYPE316
4	BALL	A276 TYPE316 or A351 Gr,CF8M
7	GLAND	A276 TYPE316
8A	GLAND PACKING	FLEXIBLE GRAFITE
8B	SPACER PACKING	G/F PTFE
9	HANDLE	A276 TYPE430(1)
10	HANDLE NUT	STAINLESS STEEL
16A	WASHER	STAINLESS STEEL
16B	NAME PLATE	STAINLESS STEEL
19	GASKET	PTFE
30	BALL SEAT	HYPATITE® PTFE
34	GLAND NUT	STAINLESS STEEL
35	CAP BOLT	STAINLESS STEEL
40	LOCK PLATE	STAINLESS STEEL
43	CONED DISC SPTING	STAINLESS STEEL
47	THRUST WASHER	C/F PTFE(2) (25%CARBON FILLED)
126	STOPPER PIN	A276 TYPE304
A	LATCH LOCK	STAINLESS STEEL



NOTE

- (1) Plastic covering.
- (2) All valves have an anti-static thrust washer insuring positive conductivity between body and stem.



DIMENSIONS

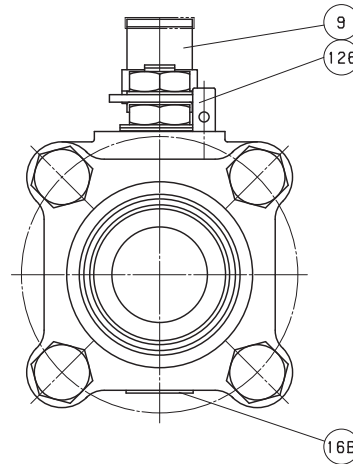
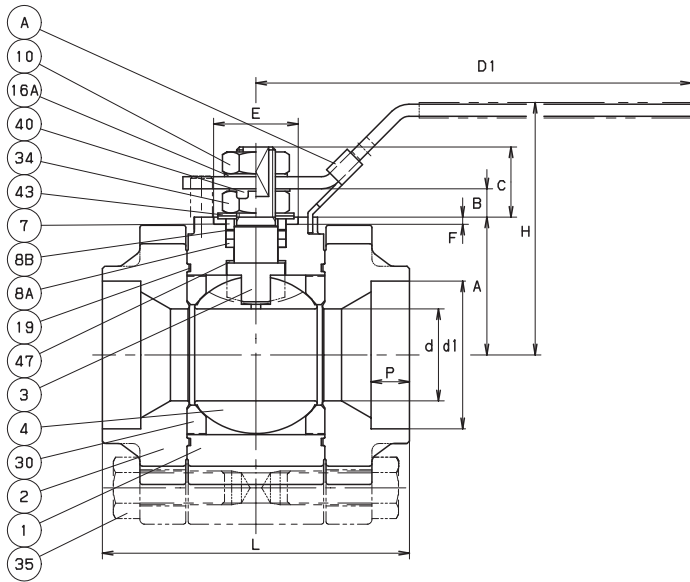
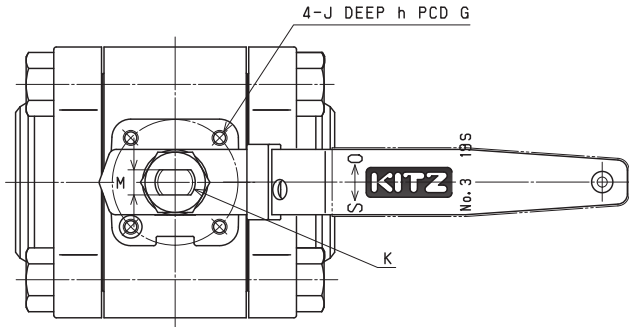
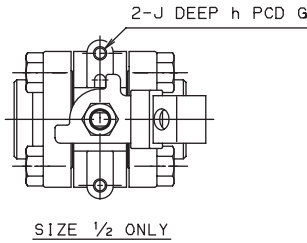
Unit : inch

Nominal Size	Mounting Dimensions for Actuator																
	d	H	D1	L	Welding End		A	B	C	E	F	G	J	h	K	M	ISO 5211 Flange Type
1/2	0.39	1.89	4.72	2.48	0.86	0.38	1.04	0.08	0.41	—	—	1.97	1/4-20UNC	0.28	M8	0.20	—
3/4	0.55	2.36	5.12	2.80	1.07	0.38	1.38	0.17	0.56	0.98	0.12	1.42	1/4-20UNC	0.20	M10	0.24	F03
1	0.75	2.68	5.12	3.54	1.33	0.38	1.69	0.20	0.67	1.18	0.12	1.65	1/4-20UNC	0.24	M12	0.34	F04
1 1/4	0.94	3.23	5.91	4.06	1.68	0.50	1.73	0.53	1.15	1.18	0.12	1.65	1/4-20UNC	0.32	M14	0.39	F04
1 1/2	1.18	3.46	5.91	4.33	1.92	0.50	1.95	0.53	1.07	1.18	0.12	1.65	1/4-20UNC	0.33	M14	0.39	F04
2	1.50	4.09	7.09	5.00	2.41	0.50	2.24	0.46	1.14	1.38	0.12	1.97	1/4-20UNC	0.39	M16	0.39	F05

AWSC3THZM-FS CODE NO. 319S

MATERIAL LIST

No.	Name of Parts	Materials
1	BODY	A216 Gr. WCB
2	CAP	A216 Gr. WCB
3	STEM	A276 TYPE316
4	BALL	A276 TYPE316 or A351 Gr.CF8M
7	GLAND	A276 TYPE316
8A	GLAND PACKING	FLEXIBLE GRAFITE
8B	SPACER PACKING	G/F PTFE
9	HANDLE	A276 TYPE430(1)
10	HANDLE NUT	STAINLESS STEEL
16A	WASHER	STAINLESS STEEL
16B	NAME PLATE	STAINLESS STEEL
19	GASKET	PTFE
30	BALL SEAT	HYPATITE® PTFE
34	GLAND NUT	STAINLESS STEEL
35	CAP BOLT	STAINLESS STEEL
40	LOCK PLATE	STAINLESS STEEL
43	CONED DISC SPTING	STAINLESS STEEL
47	THRUST WASHER	C/F PTFE(2) (25%CARBON FILLED)
126	STOPPER PIN	A276 TYPE304
A	LATCH LOCK	STAINLESS STEEL



NOTE

- (1) Plastic covering.
- (2) All valves have an anti-static thrust washer insuring positive conductivity between body and stem.

DIMENSIONS

Unit : inch

Nominal Size	Mounting Dimensions for Actuator															ISO 5211 Flange Type	
	d	H	D1	L	Welding End		A	B	C	E	F	G	J	h	K		M
in.	d	H	D1	L	d1	P	A	B	C	E	F	G	J	h	K	M	
1/2	0.39	1.89	4.72	2.48	0.86	0.38	1.04	0.08	0.41	—	—	1.97	1/4-20UNC	0.28	M8	0.20	—
3/4	0.55	2.36	5.12	2.80	1.07	0.50	1.38	0.17	0.56	0.98	0.12	1.42	1/4-20UNC	0.20	M10	0.24	F03
1	0.75	2.68	5.12	3.54	1.33	0.50	1.69	0.20	0.67	1.18	0.12	1.65	1/4-20UNC	0.24	M12	0.34	F04
1 1/4	0.94	3.23	5.91	4.06	1.68	0.50	1.73	0.53	1.15	1.18	0.12	1.65	1/4-20UNC	0.32	M14	0.39	F04
1 1/2	1.18	3.46	5.91	4.33	1.92	0.50	1.95	0.53	1.07	1.18	0.12	1.65	1/4-20UNC	0.33	M14	0.39	F04
2	1.50	4.09	7.09	5.00	2.41	0.63	2.24	0.46	1.14	1.38	0.12	1.97	1/4-20UNC	0.39	M16	0.39	F05