



KITZ Corporation Of America
800-772-0073 • www.KITZ.com

Design - B16.34, Bolted Cap, RFF, LEV 100 PPM max.
Body Materials - ASTM A351, A494, A890, A990, others upon request

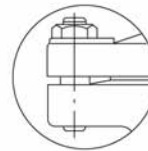
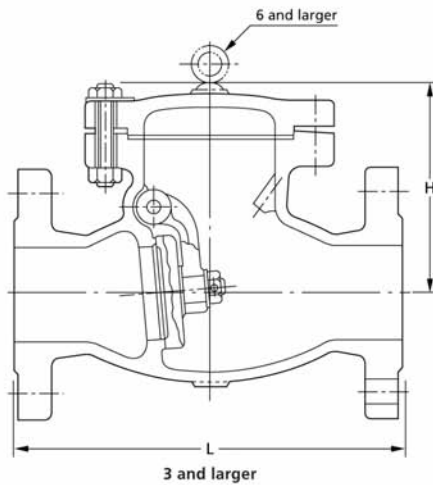
Class 300

SWING CHECK VALVE

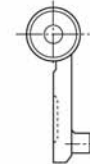
Pressure-Temperature Rating: ASME B 16.34

300UOA

300UOAM



3 and smaller



Disc type
2 1/2 and smaller

Materials

Parts	300UPA	300UPAM
Body	CF8	CF8M
Cover	CF8	CF8M
Disc	CF8	CF8M
Gasket	Refer to Page 10	
Disc nut*	304	316
Hinge pin	304	316
Plug	304	316
Arm*	CF8	CF8M
Washer*	316, 316L (3-6)	
Cover bolt/nut	B8/8	
Split pin	316L	

*Size 3 and larger.

Note: Body seats and/or disc seats can be optionally hard-faced.



Items	
Face-to-Face Dimensions	ASME B16.10
End Flange Dimensions	ASME B16.5
Wall Thickness	ASME B16.34 Class 300

Nominal Size	1 1/2	2	2 1/2	3	4	5	6	8	10	12	14	16	18	20	24	
	40	50	65	80	100	125	150	200	250	300	350	400	450	500	600	
L	in.	9.50	10.50	11.50	12.50	14.00	15.75	17.50	21.00	24.50	28.00	33.00	34.00	38.50	40.00	53.00
	mm	241	267	292	318	356	400	444	533	622	711	838	864	978	1016	1346
H	in.	4.6	5.3	6.3	7.1	7.9	9.1	10.0	11.6	13.2	14.8	17.2	18.9	23.0	23.8	24.8
	mm	117	135	160	180	200	230	255	295	335	375	437	480	585	605	630



KITZ Corporation Of America
800-772-0073 • www.KITZ.com

Design - B16.34, Wall Thickness per API 600, Bolted Cap, RFF, LEV 100 PPM max., Body Materials - ASTM A351, A494, A890, A990, others upon request

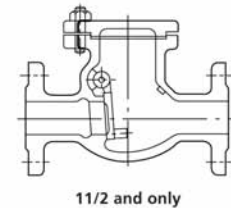
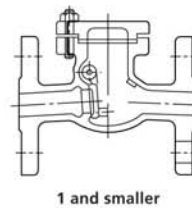
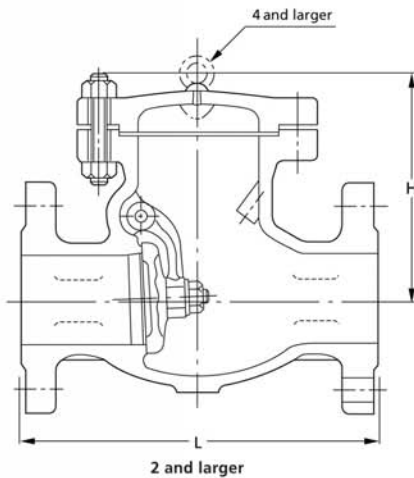
Class 300

SWING CHECK VALVE

Pressure-Temperature Rating: ASME B 16.34

300UOC

300UOCM



Materials

Parts	150UPC	150UPCM
Body*	CF8	CF8M
Cover	CF8	CF8M
Disc*	CF8	CF8M
Gasket	Refer to Page 6	
Disc nut**	304	316
Hinge pin	304	316
Plug	304	316
Arm**	CF8	CF8M
Washer**	304	316, 316L (3-6)
Cover bolt/nut	B8/8	
Split pin**	304	316L
Name plate	Aluminum	

*Body seats and/or disc seats can be optionally hard-faced.

**For size 2 and larger.

Note : Renewable seats are optionally available for size 2 and larger.



Items	
Face-to-Face Dimensions	ASME B16.10
End Flange Dimensions	ASME B16.5
Wall Thickness	API 600 Class300

Nominal Size		1/2	3/4	1	1 1/2	2	2 1/2	3	4	6	8	10	12	14	16	18	20	24
		15	20	25	40	50	65	80	100	150	200	250	300	350	400	450	500	600
L	in.	5.50	6.00	8.50	9.50	10.50	11.50	12.50	14.00	17.50	21.00	24.50	28.00	33.00	34.00	38.50	40.00	53.00
	mm	140	152	216	241	267	292	318	356	444	533	622	711	838	864	978	1016	1346
H	in.	3.2	3.3	4.0	4.6	60.5	7.5	8.1	8.9	10.7	13.0	14.2	16.0	18.9	20.7	21.9	24.3	28.8
	mm	81	84	101	118	165	190	205	225	272	330	360	406	480	527	555	618	732