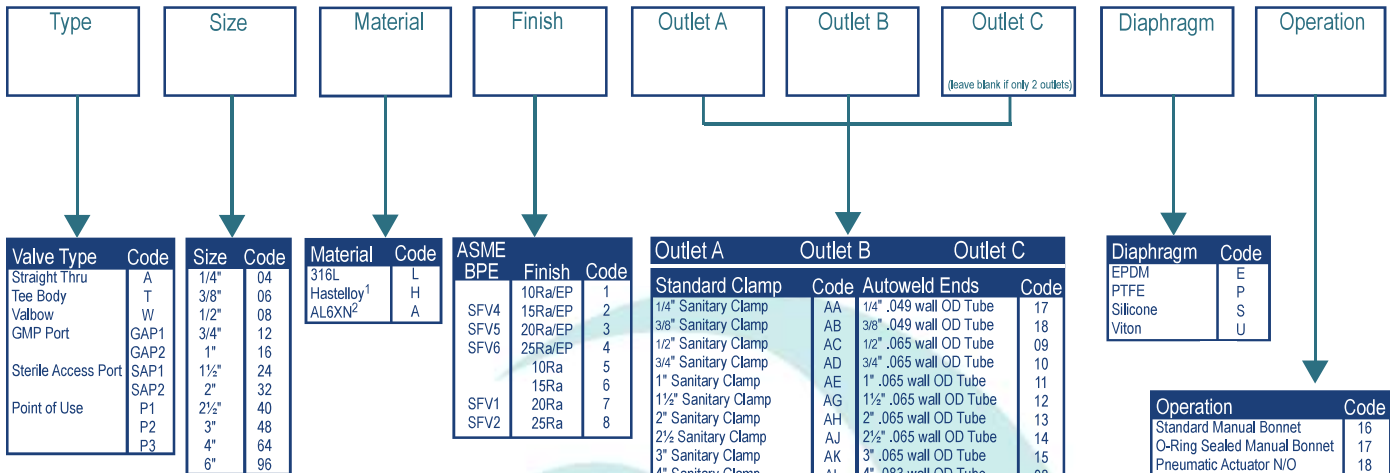


# Ordering Information

## Standard Valves, U-Bends, Tee Bodies, Ported Valves and Valbows®



Valve Type	Code
Straight Thru	A
Tee Body	T
Valbow	W
GMP Port	GAP1
	GAP2
Sterile Access Port	SAP1
	SAP2
Point of Use	P1
	P2
	P3

Size	Code
1/4"	04
3/8"	06
1/2"	08
3/4"	12
1"	16
1 1/2"	24
2"	32
2 1/2"	40
3"	48
4"	64
6"	96

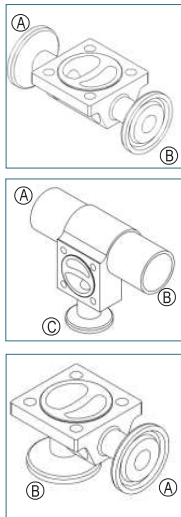
Material	Code
316L	L
Hastelloy <sup>1</sup>	H
AL6XN <sup>2</sup>	A

ASME BPE	Finish	Code
SFV4	10Ra/EP	1
SFV5	15Ra/EP	2
SFV6	20Ra/EP	3
	25Ra/EP	4
	10Ra	5
	15Ra	6
SFV1	20Ra	7
SFV2	25Ra	8

Outlet A		Outlet B		Outlet C	
Standard Clamp	Code	Autoweld Ends	Code		
1/4" Sanitary Clamp	AA	1/4" .049 wall OD Tube	17		
3/8" Sanitary Clamp	AB	3/8" .049 wall OD Tube	18		
1/2" Sanitary Clamp	AC	1/2" .065 wall OD Tube	09		
3/4" Sanitary Clamp	AD	3/4" .065 wall OD Tube	10		
1" Sanitary Clamp	AE	1" .065 wall OD Tube	11		
1 1/2" Sanitary Clamp	AG	1 1/2" .065 wall OD Tube	12		
2" Sanitary Clamp	AH	2" .065 wall OD Tube	13		
2 1/2" Sanitary Clamp	AJ	2 1/2" .065 wall OD Tube	14		
3" Sanitary Clamp	AK	3" .065 wall OD Tube	15		
4" Sanitary Clamp	AL	4" .083 wall OD Tube	08		
6" Sanitary Clamp	AM	6" .109 wall OD Tube	00		
Step Up Clamps	Code	Standard Hosebarb	Code		
1/4" to 1/2" Sanitary Clamp	AP	1/4" Hosebarb	HA		
3/8" to 1/2" Sanitary Clamp	AT	3/8" Hosebarb	HB		
1/2" to 1" Sanitary Clamp	AY	1/2" Hosebarb	HC		
1/2" to 1 1/2" Sanitary Clamp	AZ	3/4" Hosebarb	HD		
3/4" to 1" Sanitary Clamp	BA				
3/4" to 1 1/2" Sanitary Clamp	BB				
1" to 2" Sanitary Clamp	BD				
1 1/2" to 2" Sanitary Clamp	BE				
		Reducing Hosebarb Code			
		3/8" to 1/4" Hosebarb	HK		
		1/2" to 3/8" Hosebarb	HL		
		1/2" to 1/4" Hosebarb	HM		
		3/4" to 1/2" Hosebarb	HN		
		3/4" to 1/4" Hosebarb	HP		

Diaphragm	Code
EPDM	E
PTFE	P
Silicone	S
Viton	U

Operation	Code
Standard Manual Bonnet	16
O-Ring Sealed Manual Bonnet	17
Pneumatic Actuator N/O	18
Pneumatic Actuator N/C	19
Pneumatic Actuator A/A	20
Submersible Bonnet Assembly	21

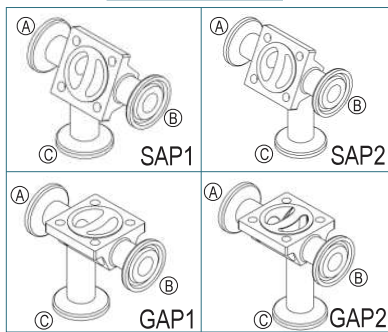


### Examples

**A 24 H 4 AG AG E 19**

**Straight Thru Valve**

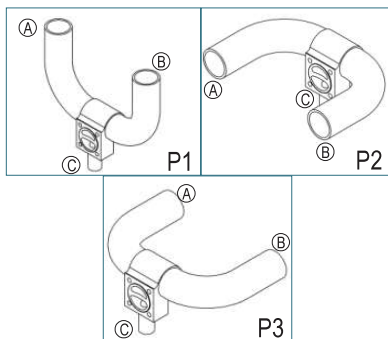
Type: 2-Way Valve  
 Size: 1 1/2"  
 Material: Hastelloy<sup>1</sup>  
 Finish: 25Ra/Electropolished  
 Outlet A: 1 1/2" Sanitary Clamp  
 Outlet B: 1 1/2" Sanitary Clamp  
 Diaphragm: EPDM  
 Operation: Actuator Normally Closed (N/C)



**GAP2 08 L 8 AC AC AC P 16**

**GMP Access Port**

Type: GMP Access Port Right Side (GAP2)  
 Size: 1/2"  
 Material: 316L Stainless Steel  
 Finish: 25Ra (No Electropolish)  
 Outlet A: 1/2" Sanitary Clamp  
 Outlet B: 1/2" Sanitary Clamp  
 Outlet C: 1/2" Sanitary Clamp  
 Diaphragm: PTFE  
 Operation: SS Manual Bonnet Assembly



**P1 12 L 2 11 11 AD S 16**

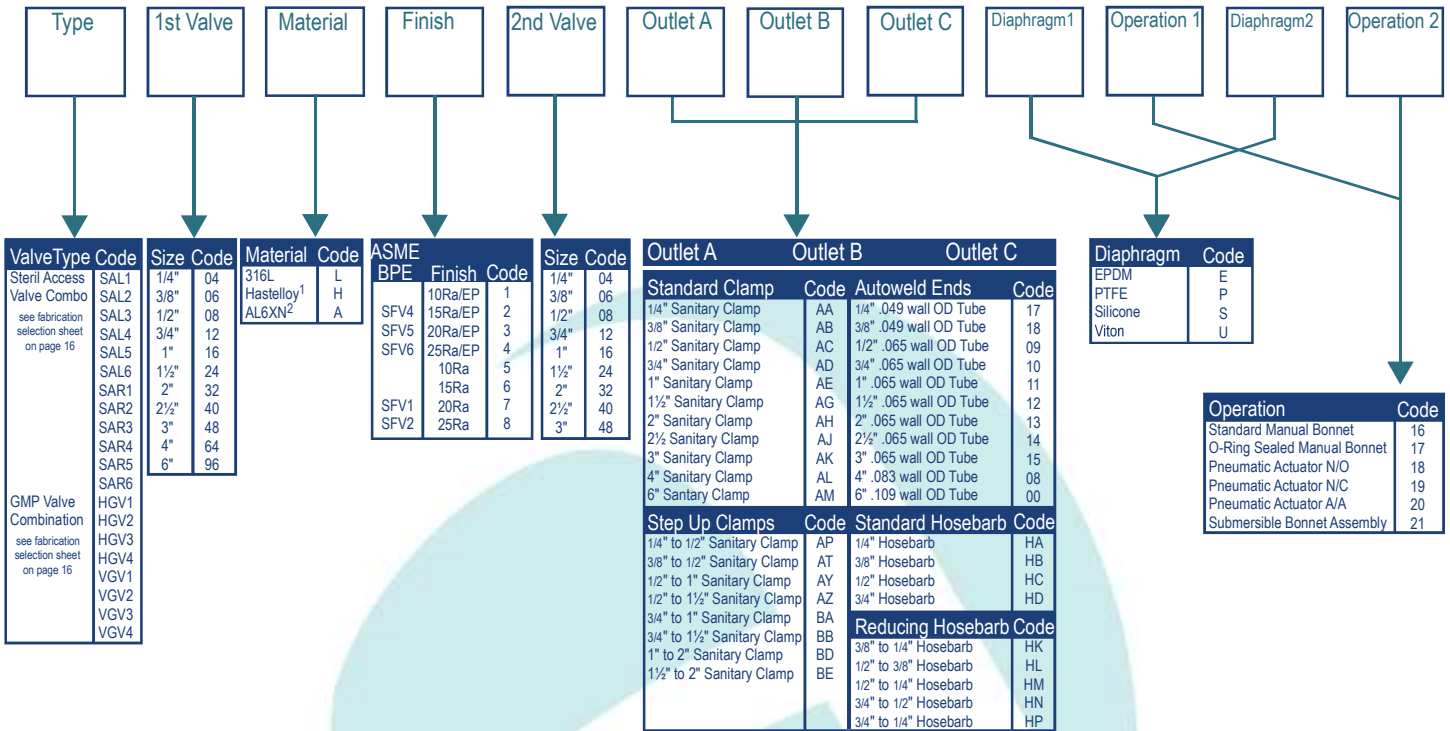
**Point of Use Valve**

Type: Point of Use (Orientation 1 - 0°)  
 Size: 3/4"  
 Material: 316L Stainless Steel  
 Finish: 15Ra/Electropolished  
 Outlet A: 1" Tubing  
 Outlet B: 1" Tubing  
 Outlet C: 3/4" Sanitary Clamp  
 Diaphragm: Silicone  
 Operation: SS Manual Bonnet Assembly

<sup>1</sup>Hastelloy is a trademark of Haynes International  
<sup>2</sup>AL6XN is a trademark of Allegheny Ludlum

# Ordering Information

## Valve to Valve Combinations



Valve Type	Code
Steril Access	SAL1
Valve Combo	SAL2
see fabrication selection sheet on page 16	
SAL3	SAL3
SAL4	SAL4
SAL5	SAL5
SAL6	SAL6
SAR1	SAR1
SAR2	SAR2
SAR3	SAR3
SAR4	SAR4
SAR5	SAR5
SAR6	SAR6
GMP Valve Combination	HGV1
see fabrication selection sheet on page 16	
HGV2	HGV2
HGV3	HGV3
HGV4	HGV4
VG1	VG1
VG2	VG2
VG3	VG3
VG4	VG4

Size	Code
1/4"	04
3/8"	06
1/2"	08
3/4"	12
1"	16
1 1/2"	24
2"	32
2 1/2"	40
3"	48
4"	64
6"	96

Material	Code
316L	L
Hastelloy <sup>1</sup>	H
AL6XN <sup>2</sup>	A

ASME BPE	Finish	Code	Size	Code
10Ra/EP	1	1	1/4"	04
15Ra/EP	2	2	3/8"	06
20Ra/EP	3	3	1/2"	08
25Ra/EP	4	4	3/4"	12
10Ra	5	5	1"	16
15Ra	6	6	1 1/2"	24
20Ra	7	7	2"	32
25Ra	8	8	2 1/2"	40
			3"	48

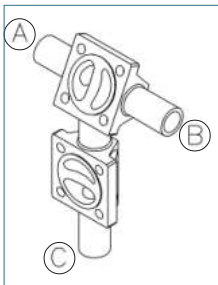
Outlet A		Outlet B		Outlet C	
Standard Clamp	Code	Autoweld Ends	Code		
1/4" Sanitary Clamp	AA	1/4" .049 wall OD Tube	17		
3/8" Sanitary Clamp	AB	3/8" .049 wall OD Tube	18		
1/2" Sanitary Clamp	AC	1/2" .065 wall OD Tube	09		
3/4" Sanitary Clamp	AD	3/4" .065 wall OD Tube	10		
1" Sanitary Clamp	AE	1" .065 wall OD Tube	11		
1 1/2" Sanitary Clamp	AG	1 1/2" .065 wall OD Tube	12		
2" Sanitary Clamp	AH	2" .065 wall OD Tube	13		
2 1/2" Sanitary Clamp	AJ	2 1/2" .065 wall OD Tube	14		
3" Sanitary Clamp	AK	3" .065 wall OD Tube	15		
4" Sanitary Clamp	AL	4" .083 wall OD Tube	08		
6" Sanitary Clamp	AM	6" .109 wall OD Tube	00		
Step Up Clamps	Code	Standard Hosebarb	Code		
1/4" to 1/2" Sanitary Clamp	AP	1/4" Hosebarb	HA		
3/8" to 1/2" Sanitary Clamp	AT	3/8" Hosebarb	HB		
1/2" to 1" Sanitary Clamp	AY	1/2" Hosebarb	HC		
1/2" to 1 1/2" Sanitary Clamp	AZ	3/4" Hosebarb	HD		
3/4" to 1" Sanitary Clamp	BA				
3/4" to 1 1/2" Sanitary Clamp	BB				
1" to 2" Sanitary Clamp	BD				
1 1/2" to 2" Sanitary Clamp	BE				
		Reducing Hosebarb	Code		
		3/8" to 1/4" Hosebarb	HK		
		1/2" to 3/8" Hosebarb	HL		
		1/2" to 1/4" Hosebarb	HM		
		3/4" to 1/2" Hosebarb	HN		
		3/4" to 1/4" Hosebarb	HP		

Diaphragm	Code
EPDM	E
PTFE	P
Silicone	S
Viton	U

Operation	Code
Standard Manual Bonnet	16
O-Ring Sealed Manual Bonnet	17
Pneumatic Actuator N/O	18
Pneumatic Actuator N/C	19
Pneumatic Actuator A/A	20
Submersible Bonnet Assembly	21

### SAL1 08 L 2 08 09 09 09 E 19 E 16

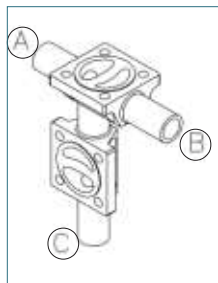
#### Sterile Access Valve to Valve Combination



Type	Sterile Access Valve Left Side (SAL1)
1st Valve	1/2"
Material	316L Stainless Steel
Finish	15Ra/Electropolished
2nd Valve	1/2"
Outlet A	1/2" Tubing
Outlet B	1/2" Tubing
Outlet C	1/2" Tubing
Diaphragm 1	EPDM
Operation 1	Actuator Normally Closed (N/C)
Diaphragm 2	EPDM
Operation 2	SS Manual Bonnet Assembly

### HGV1 16 L 7 12 AE AE AD P 16 P 16

#### GMP Valve to Valve Combination



Type	Horizontal GMP Valve (HGV1)
1st Valve	1"
Material	316L Stainless Steel
Finish	20Ra (No Electropolish)
2nd Valve	3/4"
Outlet A	1" Sanitary Clamp
Outlet B	1" Sanitary Clamp
Outlet C	3/4" Sanitary Clamp
Diaphragm 1	PTFE
Operation 1	SS Manual Bonnet Assembly
Diaphragm 2	PTFE
Operation 2	SS Manual Bonnet Assembly

<sup>1</sup>Hastelloy is a trademark of Haynes International  
<sup>2</sup>AL6XN is a trademark of Allegheny Ludlum

# Selection Chart

